

# TEAC

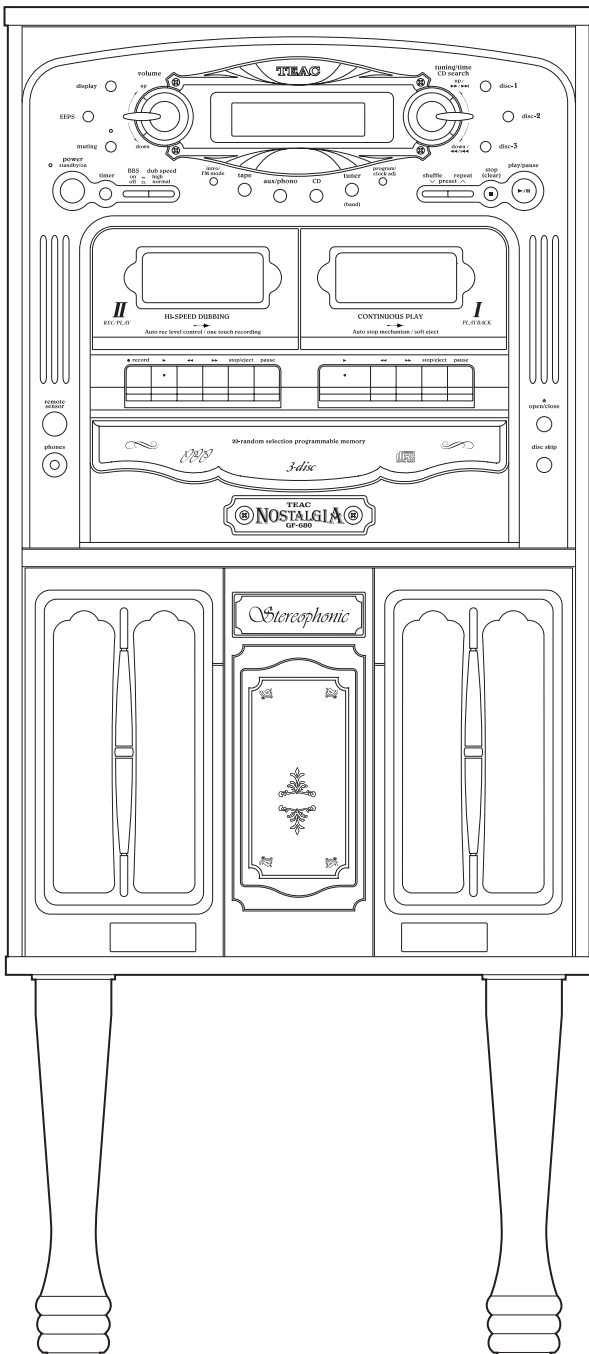
# GF-680

## Compact Hi-Fi Stereo System

ENGLISH

FRANÇAIS

### OWNER'S MANUAL MANUEL DU PROPRIÉTAIRE





### CAUTION

RISK OF ELECTRIC SHOCK  
DO NOT OPEN



CAUTION: TO REDUCE THE RISK OF ELECTRIC SHOCK, DO NOT REMOVE COVER (OR BACK). NO USER-SERVICEABLE PARTS INSIDE. REFER SERVICING TO QUALIFIED SERVICE PERSONNEL.



The lightning flash with arrowhead symbol, within an equilateral triangle, is intended to alert the user to the presence of uninsulated "dangerous voltage" within the product's enclosure that may be of sufficient magnitude to constitute a risk of electric shock to persons.



The exclamation point within an equilateral triangle is intended to alert the user to the presence of important operating and maintenance (servicing) instructions in the literature accompanying the appliance.

## IMPORTANT SAFETY INSTRUCTIONS

- 1) Read these instructions.
- 2) Keep these instructions.
- 3) Heed all warnings.
- 4) Follow all instructions.
- 5) Do not use this apparatus near water.
- 6) Clean only with dry cloth.
- 7) Do not block any ventilation openings. Install in accordance with the manufacturer's instructions.
- 8) Do not install near any heat sources such as radiators, heat registers, stoves, or other apparatus (including amplifiers) that produce heat.
- 9) Do not defeat the safety purpose of the polarized or grounding-type plug. A polarized plug has two blades with one wider than the other. A grounding type plug has two blades and a third grounding prong. The wide blade or the third prong are provided for your safety. If the provided plug does not fit into your outlet, consult an electrician for replacement of the obsolete outlet.
- 10) Protect the power cord from being walked on or pinched particularly at plugs, convenience receptacles, and the point where they exit from the apparatus.
- 11) Only use attachments/accessories specified by the manufacturer.
- 12) Use only with the cart, stand, tripod, bracket, or table specified by the manufacturer, or sold with the apparatus. When a cart is used, use caution when moving the cart/apparatus combination to avoid injury from tip-over.
- 13) Unplug this apparatus during lightning storms or when unused for long periods of time.
- 14) Refer all servicing to qualified service personnel. Servicing is required when the apparatus has been damaged in any way, such as power-supply cord or plug is damaged, liquid has been spilled or objects have fallen into the apparatus, the apparatus has been exposed to rain or moisture, does not operate normally, or has been dropped.
  - Do not expose this apparatus to drips or splashes.
  - Do not place any objects filled with liquids, such as vases, on the apparatus.
  - Do not install this apparatus in a confined space such as a book case or similar unit.
  - The apparatus draws nominal non-operating power from the AC outlet with its POWER switch in the off position.



**WARNING : TO PREVENT FIRE OR SHOCK HAZARD, DO NOT EXPOSE THIS APPLIANCE TO RAIN OR MOISTURE.**

### CAUTION

- DO NOT REMOVE THE PROTECTIVE HOUSING USING SCREWDRIVER.
- USE OF CONTROLS OR ADJUSTMENTS OR PERFORMANCE OF PROCEDURES OTHER THAN THOSE SPECIFIED HEREIN MAY RESULT IN HAZARDOUS RADIATION EXPOSURE.
- IF THIS PRODUCT DEVELOPS TROUBLE, MAKE A CONTACT WITH OUR SERVICEMAN, AND DO NOT USE THE PRODUCT IN A TROUBLED STATE.

### For U.S.A.

This equipment has been tested and found to comply with the limits for a Class B digital device, pursuant to Part 15 of the FCC Rules. These limits are designed to provide reasonable protection against harmful interference in a residential installation. This equipment generates, uses, and can radiate radio frequency energy and, if not installed and used in accordance with the instructions, may cause harmful interference to radio communications. However, there is no guarantee that interference will not occur in a particular installation. If this equipment does cause harmful interference to radio or television reception, which can be determined by turning the equipment off and on, the user is encouraged to try to correct the interference by one or more of the following measures:

- Reorient or relocate the equipment and/or the receiving antenna.
- Increase the separation between the equipment and receiver.
- Connect the equipment into an outlet on a circuit different from that to which the receiver is connected.
- Consult the dealer or an experienced radio/TV technician for help.

### CAUTION

Changes or modifications to this equipments not expressly approved by TEAC CORPORATION for compliance will void the user's warranty.

### For CANADA

#### AC POWER CORD CONNECTION

### CAUTION:

TO PREVENT ELECTRIC SHOCK, MATCH WIDE BLADE OF PLUG TO WIDE SLOT, FULLY INSERT.

### Pour le CANADA

#### CORDE DE CONNEXION CA

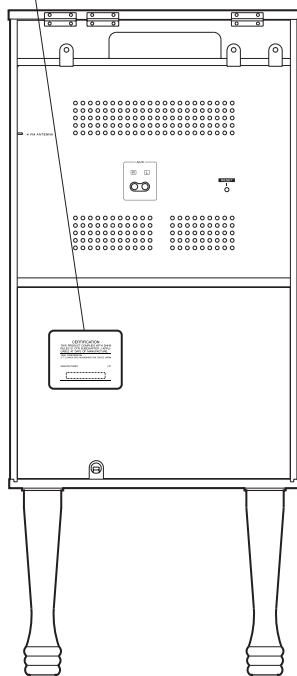
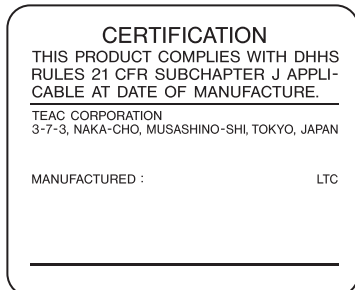
### ATTENTION:

POUR ÉVITER LES CHOCS ÉLECTRIQUES, INTRODUIRE LA LAME LA PLUS LARGE DE LA FICHE DANS LA BORNE CORRESPONDANTE DE LA PRISE ET POUSSER JUSQU'AU FOND.

This product has been designed and manufactured according to FDA regulations "title 21, CFR, chapter 1, subchapter J, based on the Radiation Control for Health and Safety Act of 1968", and is classified as class 1 laser product. There is not hazardous invisible laser radiation during operation because invisible laser radiation emitted inside of this product is completely confined in the protective housings.

The label required in this regulation is shown ①.

① For U.S.A.



**Optical pickup :**

Type : SLD104u  
Manufacturer : SONY Corporation  
Laser output : Less than 0.5 mW on the objective lens  
Wavelength : 760 - 800 nm

## Contents

Thank you for choosing TEAC. Read this manual carefully to get the best performance from this unit.

Important Safety Instructions	2
Contents	4
Before Use	4
Discs	5
Cassette Tape	6
Handling Records	7
How to Replace the Stylus	7
Connection	8
Remote Control Unit	9
Names of Each Control (Front Panel/Remote Control Unit)	10
Names of Each Control (Turntable)	12
Basic Operation	13
Listening to a Record	14
Listening to CDs	16
Programmed Playback	18
Intro Check	19
Shuffle Playback	20
Repeat Playback	20
Listening to the Radio	21
Preset Tuning	22
Listening to Tapes	23
Extended Playback	24
Recording	24
Dubbing (Copy from TAPE I to TAPE II)	25
Setting the Clock	26
Setting the Timer	27
Timer Playback	28
Timer Recording	29
Display	29
Troubleshooting	30
Specifications	31

## Before Use

### Read this before operation

- As the unit may become warm during operation, always leave sufficient space around the unit for ventilation.
- The voltage supplied to the unit should match the voltage as printed on the rear panel. If you are in any doubt regarding this matter, consult an electrician.
- Choose the installation location of your unit carefully. Avoid placing it in direct sunlight or close to a source of heat. Also avoid locations subject to vibrations and excessive dust, heat, cold or moisture.
- Do not place the unit on an amplifier/receiver or any other electronic device that generates heat.
- Do not open the sealed cabinet as this might result in damage to the circuitry or electrical shock. If a foreign object should get into the set, contact your dealer or service agency.
- When removing the power plug from the wall outlet, always pull directly on the plug, never yank the cord.
- To keep the laser pickup clean, do not touch it, and always close the disc tray.
- Do not attempt to clean the unit with chemical solvents as this might damage the finish. Use a clean, dry cloth.
- Keep this manual in a safe place for future reference.

### DO NOT MOVE THE UNIT DURING PLAYBACK

During playback, the disc rotates at high speed. Do NOT lift or move the unit during playback. Doing so may damage the disc or the record.

### WHEN MOVING THIS UNIT

When changing places of installation or packing the unit for moving, be sure to remove the disc and the record. Moving this unit with the disc or the record loaded may result in damage to this unit. If the unit is to be packed and moved a large distance, it is also advisable to tighten the turntable transport locking screw. See page 12 for instructions.

### Beware of condensation

When the unit (or a disc) is moved from a cold to a warm place, or used after a sudden temperature change, there is a danger of condensation; vapor in the air could condense on the internal mechanism, making correct operation erratic or impossible. To prevent this, or if this occurs, leave the unit for one or two hours with the power turned on. The unit will stabilize at the temperature of its surroundings.

### Maintenance

Always keep the turntable clean.

If the surface of the unit gets dirty, wipe with a soft cloth or use diluted mild liquid soap. Be sure to remove any excess completely. Do not use thinner, benzine or alcohol as they may damage the surface of the unit. Allow the surface of the unit to dry completely before using

#### CAUTION

Do not expose this unit to liquids of any kind. Keep any objects containing liquids such as vases, water glasses, potted plants, et cetera off the top of this unit.

Do not install this equipment in a confined space such as a book-case or similar unit.

**Discs which can be played on this unit:**

- Conventional audio CDs bearing the CD-DA logo on the label:



- Properly finalized CD-R discs

**Note:**

- Depending on the quality of the disc and/or the condition of the recording, some CD-R discs may not be playable.
- CD-RW discs cannot be played on this unit.
- Copy-protected discs and other discs which do not conform to the CD standard may not play back correctly in this player. If you use such discs in this unit, TEAC Corporation and its subsidiaries cannot be responsible for any consequences or guarantee the quality of reproduction. If you experience problems with such non-standard discs, you should contact the producers of the disc.

- Always place the disc on the disc tray with the label side uppermost. (Compact discs can be played or recorded only on one side.)
- To remove a disc from its storage case, press down on the center of the case and lift the disc out, holding it carefully by the edges.



How to remove the disc

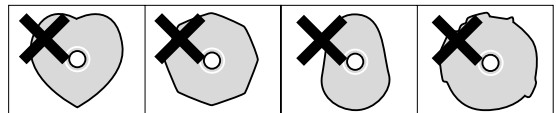


How to hold the disc

- Should the disc become dirty, wipe the surface radially with a soft, dry cloth.



- Never use such chemicals as record sprays, antistatic sprays or fluid, benzine or thinner to clean the discs. Such chemicals will do irreparable damage to the disc's plastic surface.
- Discs should be returned to their cases after use to avoid dust and scratches that could cause the laser pickup to "skip."
- Do not expose discs to direct sunlight or high humidity and temperature for extended periods. Long exposure to high temperatures will warp the disc.
- CD-R discs are more sensitive to the effects of heat and ultraviolet rays than ordinary CDs. It is important that they are not stored in a location where direct sunlight will fall on them, and which is away from sources of heat such as radiators or heat-generating electrical devices.
- Printable CD-R discs aren't recommended, as the label side might be sticky and damage the unit.
- Do not stick papers or protective sheets on the discs and do not use any protective coating spray.
- Use a soft oil-based felt-tipped pen to write the information on the label side. Never use a ball-point or hard-tipped pen, as this may cause damage to the recorded side.
- Never use a stabilizer. Using commercially available CD stabilizers with this unit will damage the mechanisms and cause them to malfunction.
- Do not use irregular shape CDs (octagonal, heart-shape, etc.). CDs of this sort can damage the unit.

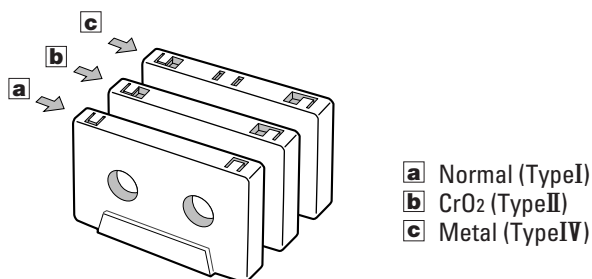


- If you are in any doubt as to the care and handling of a CD-R disc, read the precautions supplied with the disc, or contact the disc manufacturer directly.

## Tape Selection

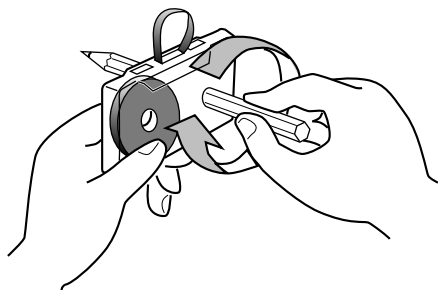
Metal and chrome (cobalt) tapes have identification holes.

- This unit can play normal (Type I) tape only.



## Tape Handling

Use your finger or a pencil to turn the cassette's hub and take up any slack tape.



- Avoid touching the tape. Fingerprints attract dust and dirt.

### Do not store tapes in the following places:

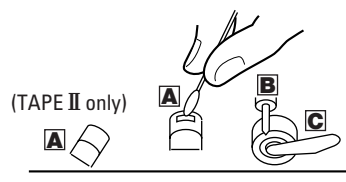
- On top of heaters, exposed to direct sunlight or in any other places with high temperatures.
- Near speakers, on TV sets or amplifiers or where they would be exposed to strong magnetic fields.
- Where humidity is high and in dirty, dusty places.
- Avoid dropping or subjecting cassettes to excessive shocks.
- As C-120 tapes are physically weak and could become entangled in the transport mechanism, do not use them.

## Maintenance

The heads and tape path should be cleaned and demagnetized periodically.

### Cleaning Tape Path

- Apply head cleaning fluid to a cotton swab or soft cloth, and lightly rub the heads **A**, capstan **B** and all metal parts in the tape path.
- Also clean the pinch roller **C** using rubber cleaning fluid.

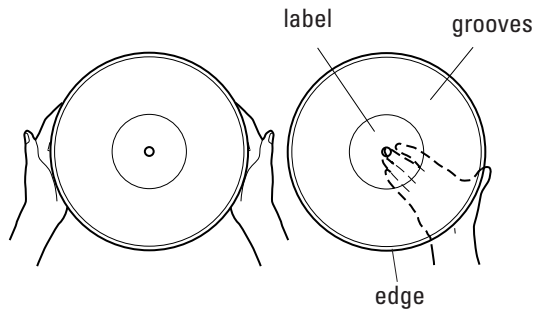


### Demagnetizing Heads

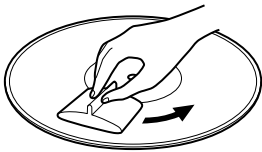
Be sure that the power is off, then demagnetize the heads using a demagnetizer. For details of its use, read its instructions.

## Handling Records

- Do not touch grooves. Handle records by the edges or the label only, with clean hands. Skin oils from even clean hands can leave a residue on the record surface that will gradually deteriorate the quality of your record.



- Keep your records away from dust. Keep them in a cool, dry place.
- To avoid dust and scratches, keep records in their sleeves and jackets when not in use.
- Store records upright on their edges. Records stored horizontally will eventually bend and warp.
- Do not expose records to direct sunlight or high humidity and temperature. Long exposure to high temperatures will warp the record.
- Do not store your records in the trunk of your car. The temperatures in a closed trunk can ruin your collection.
- Store records in an area with stable temperature and humidity.
- Should the record become dirty, gently wipe the surface in a circular motion, using a soft anti-static cloth. Many commercial record cleaning systems are available from many retailers or on-line. TEAC does not endorse any specific product but, depending on the condition of your record collection, it may be advisable to look into one of these systems. Clean records protect your stylus from undue wear.



## How to Replace the Stylus

Stylus should last about 50 hours under normal use. However, it is recommended to replace the stylus as soon as you notice a change in sound quality.

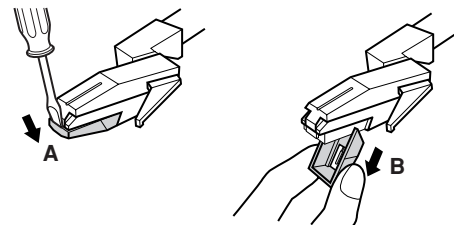
Prolonged use of a worn-out stylus may damage the record. Wear and tear will accelerate when playing 78 RPM records. The higher speed of 78 RPM records wears the stylus more quickly.

### Caution:

- Do not remove or bend stylus.
- To avoid injury, do not touch the needle.
- Turn off the power of the unit before you replace the stylus.
- Keep out of reach of children.
- Handle with care, as the stylus is delicate. Use of a bent or broken stylus may damage the record and cause mal-function.
- Do not expose stylus to extreme heat.
- Contact a qualified repair company if you experience difficulty in changing the stylus.

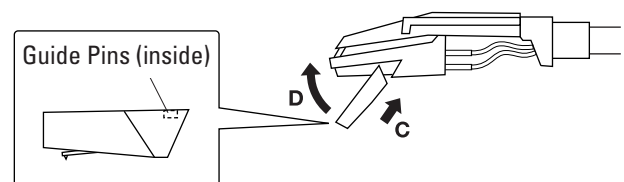
### Removing old stylus

1. Set a screwdriver at the tip of stylus and push down to the direction "A".
2. Pull out to the direction "B".

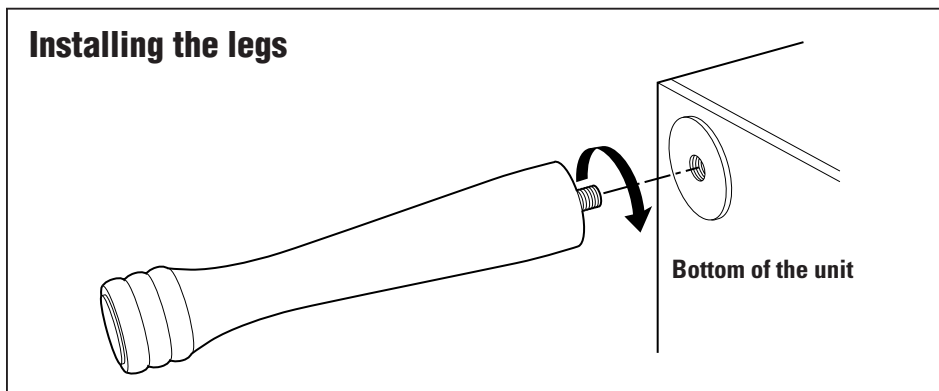
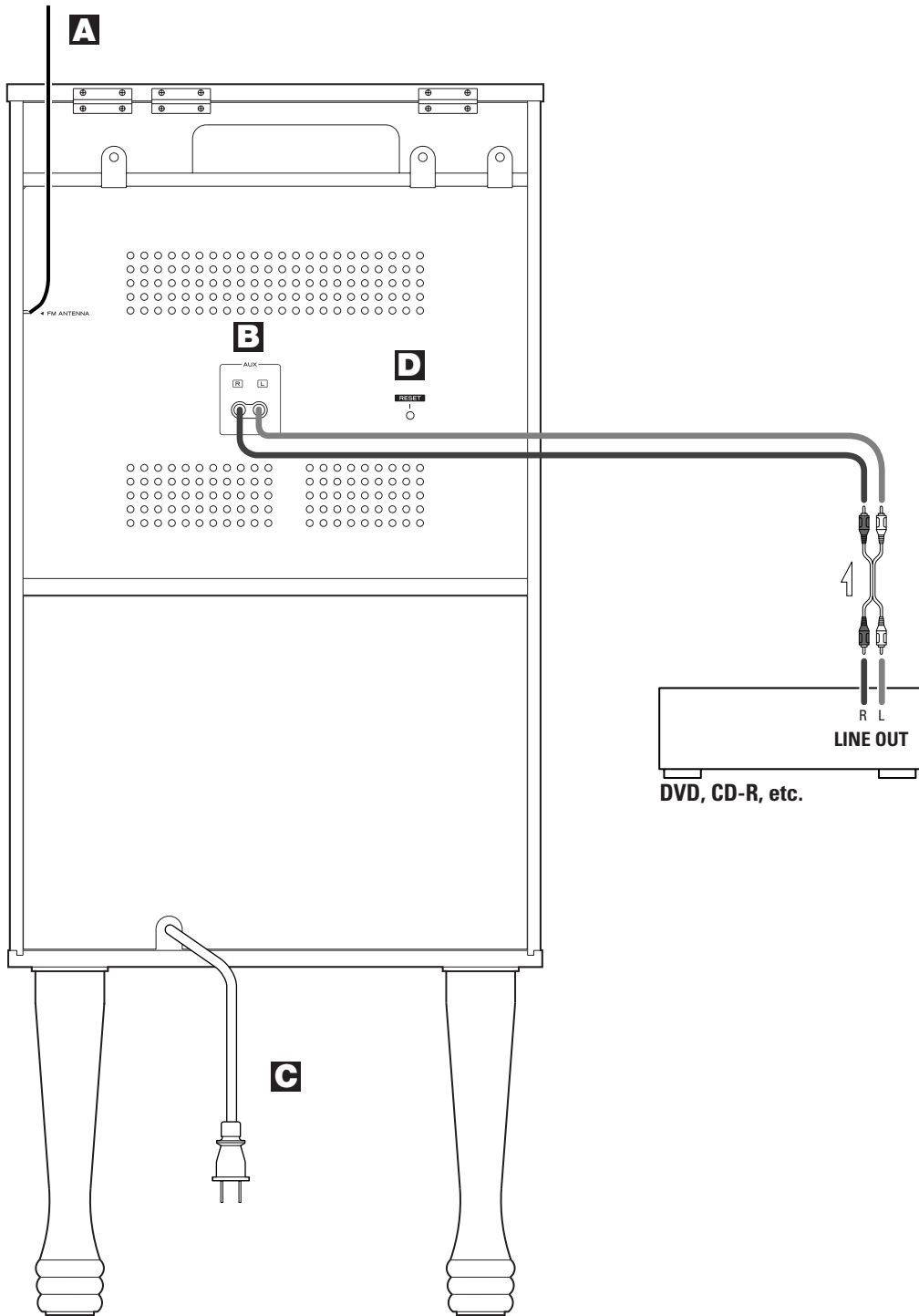


### Installing new stylus

1. Hold the tip of stylus and insert the other edge to the direction "C".
2. Push up to the direction "D" until it locks at the tip.



The replacement stylus for this GF-600 is a STL-103. Please contact TEAC Parts at (323) 726-0303, extension 840 to order. Or call our automated Service Agency Locator at: (800) 447-TEAC for the closest authorized repair company that can replace the stylus for you.





### CAUTION

Turn off the power of all the equipment before making connections.  
Read instructions of each component you intend to use with this unit.

- Be sure to insert each plug securely. To prevent hum and noise, do not bundle the connection cords with the power cord.

### A FM antenna

While in FM mode, tune in an FM station and extend the lead to find the best position for reception. This antenna may need to be repositioned if you move your unit to a new location.

### B AUX

You can connect a DVD player, VCR etc. to this unit.  
Connect the component with RCA pin cords. Make sure to connect the white plug to the white jacks (Left) and the red plug to the red jacks (Right).

### C AC Power Cord

Plug this AC power cord into an AC wall socket.

### D RESET

In the following cases, function buttons may not work properly.

- When the system is damaged by some electrical shock.
- When the power is irregular or has electrical noises.

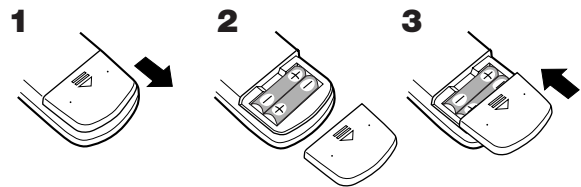
In these cases, press the RESET switch once or twice with a pencil or a ball-point pen lightly.

The provided Remote Control Unit allows the unit to be operated from a distance.

When operating the remote control unit, point it towards the REMOTE SENSOR on the front panel of the unit.

- Even if the remote control unit is operated within the effective range, remote control operation may be impossible if there are any obstacles between the unit and the remote control.
- If the remote control unit is operated near other products which generate infrared rays, or if other remote control devices using infrared rays are used near the unit, it may operate incorrectly. Conversely, the other products may operate incorrectly.

### Battery Installation



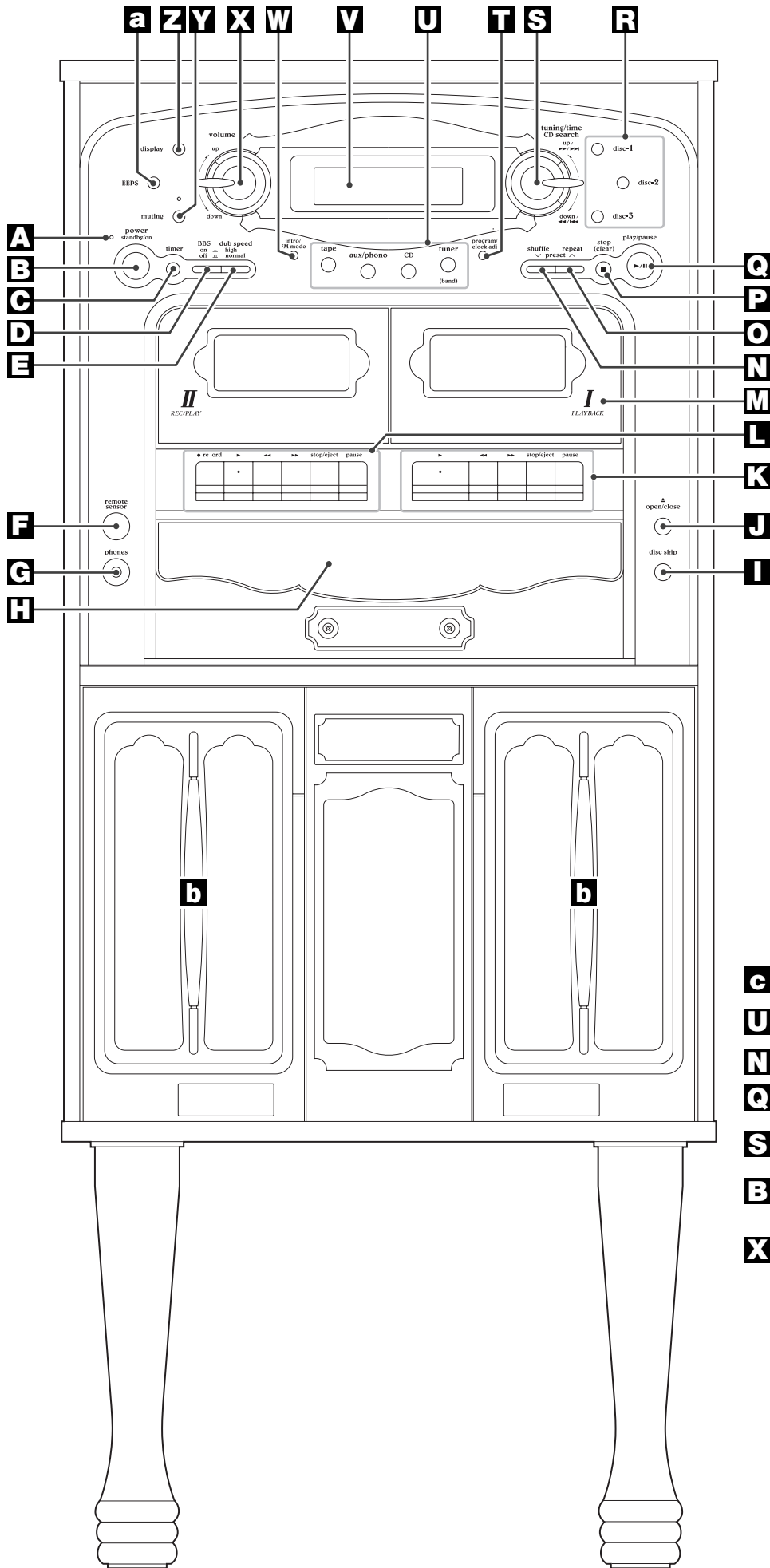
- 1 Remove the battery compartment cover.
- 2 Insert two "AAA" (R03, UM-4) dry batteries. Make sure that the batteries are inserted with their positive "⊕" and negative "⊖" poles positioned correctly.
- 3 Close the cover.

### Battery Replacement

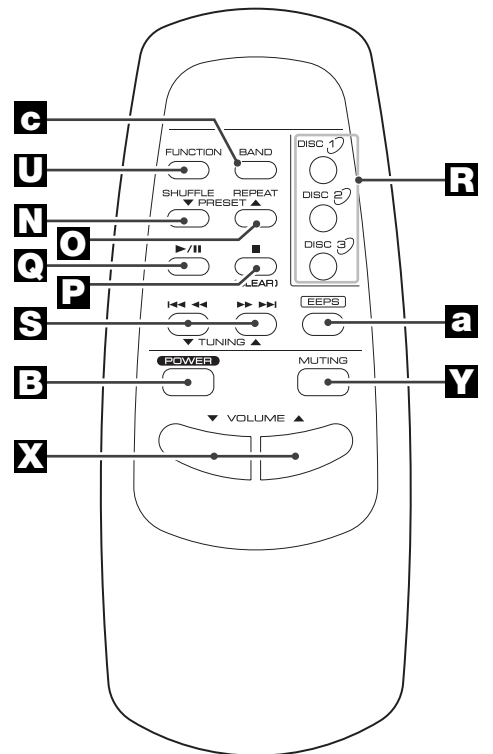
If the distance required between the remote control unit and main unit decreases, the batteries are exhausted. In this case replace the batteries with new ones.

### Precautions concerning batteries

- Be sure to insert the batteries with correct positive "⊕" and negative "⊖" polarities.
- Use batteries of the same type. Never use different types of batteries together.
- Rechargeable and non-rechargeable batteries can be used. Refer to the precautions on their labels.
- When the remote control unit is not to be used for a long time (more than a month), remove the batteries from the remote control unit to prevent them from leaking. If they leak, wipe away the liquid inside the battery compartment and replace the batteries with new ones.
- Do not heat or disassemble batteries and never dispose of old batteries by throwing them in a fire.



Remote control unit



## Names of Each Control (Front Panel/Remote Control Unit)

### **STANDBY indicator**

This indicator lights when the unit is in the standby mode. When the unit is turned on, the light goes off.

### **POWER**

Press this switch to turn the unit on or off (standby).

The equipment draws a nominal amount of power from the AC outlet even with its POWER switch in the OFF position.

### **TIMER**

Use this button to set the timer.

### **BBS**

Use this button to boost bass.

### **DUB SPEED**

Use this button to select the dubbing speed.

### **REMOTE SENSOR**

When operating the remote control unit, point it towards the REMOTE SENSOR.

### **PHONES**

For private listening, insert the headphones plug into this jack, and adjust the volume by turning the VOLUME knob.

### **Disc tray**

### **DISC SKIP**

Use this button to rotate the carousel.

### **OPEN/CLOSE**

Use this button to open and close the disc tray.

### **TAPE I operation buttons**

#### **TAPE II operation buttons**

##### **PLAY :**

Use this button to start playback of the tape.

##### **SEARCH :**

Use these buttons to fast-forward or rewind the tape.

##### **STOP/EJECT :**

Use this button to stop playback. In the stop mode, use this button to open the cassette holder.

##### **PAUSE :**

Use this button to pause playback.

##### **RECORD :**

Use this button to start recording.

### **Cassette holder**

### **SHUFFLE/PRESET**

In CD mode, use this button for shuffle playback. In TUNER mode, use this button to select preset stations.

### **REPEAT/PRESET**

In CD mode, use this button for repeat playback. In TUNER mode, use this button to select preset stations.

### **STOP**

Use this button to stop playback of CD.

### **PLAY**

Use this button to start or pause playback of CD.

### **DISC 1, 2, 3**

Use these buttons to select a disc.

### **CD SEARCH/TUNING/TIME (|◀◀ ◀◀/▶▶ ▶▶|)**

In CD mode, momentarily turn this knob (or press the SKIP button of the remote control unit) to skip tracks. Hold up or down the knob (or press and hold the SKIP button) to search for a part of a track.

In TUNER mode, momentarily turn this knob to tune in stations.

### **PROGRAM/CLOCK ADJ**

In CD mode, use this button to program tracks.

In TUNER mode, use this button to store preset channels into memory.

This button is also used for clock adjustment.

### **FUNCTION (TAPE, AUX/PHONO, CD, TUNER)**

Use these buttons to select a source.

In TUNER mode, press the TUNER (BAND) button to select FM or AM.

### **Display**

### **INTRO/FM MODE**

In CD mode, use this button to start intro check.

In FM TUNER mode, use this button to select stereo or monaural.

### **VOLUME**

Turn this knob (or press the VOLUME buttons of the remote control unit) to adjust the volume.

### **MUTING**

Use this button to mute the sound.

### **DISPLAY**

Use this button to change the display.

### **EEPS**

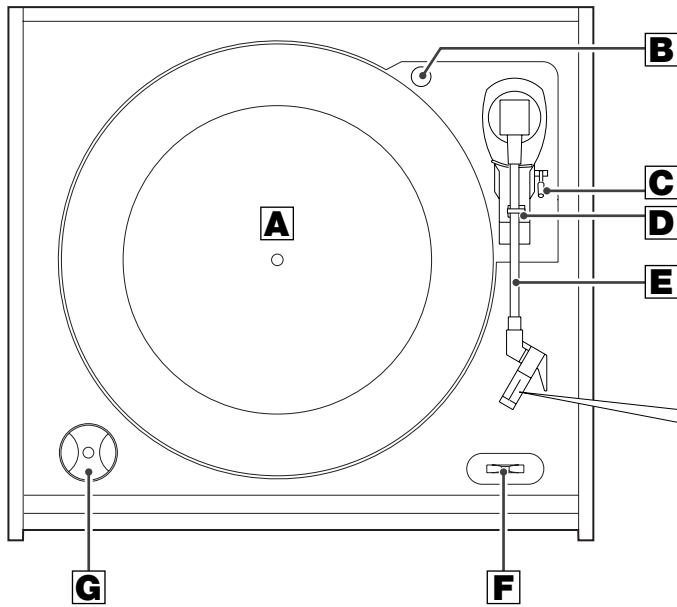
Use this button to select a preset equalizer.

### **Speakers (stereo)**

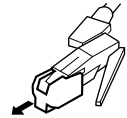
#### **Note:**

To simplify explanations, instructions refer to names of buttons and controls on the front panel, making no mention of the use of remote control unit.

## Names of Each Control (Turntable)



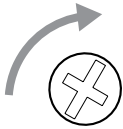
Before use, detach the stylus guard (white plastic cover) by pulling it straight off the front of the cartridge in the direction of the arrow.



### **A** turntable

### **B** screw fixing the turntable for transportation

Before use, completely loosen the screw by turning it clockwise with a coin or screwdriver.



When you transport the unit, turn the screw counterclockwise to fix the turntable.

### **C** cue-lever

Use this lever to lift the tone arm.

### **D** tone arm holder

### **E** tone arm

### **F** speed selector

### **G** 45 RPM adaptor

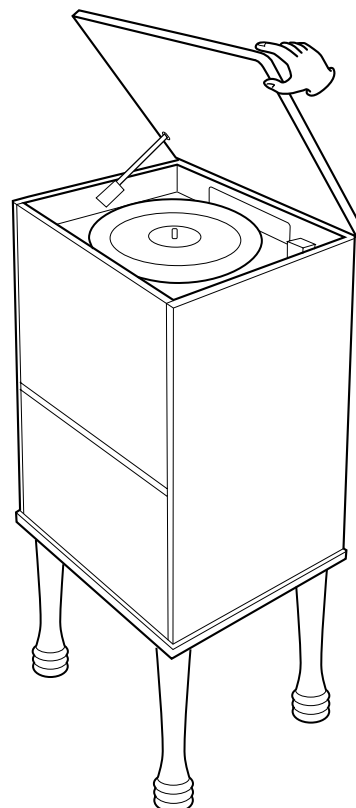
## How to open/close the turntable cover

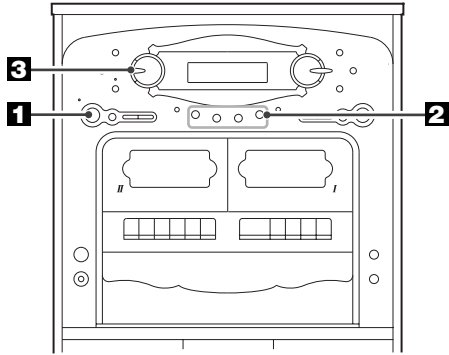
### To Open:

1. Lift the turntable cover all the way up until it stops.
2. Lower the cover slowly until the latch engages.
3. The cover will now stay open. If the latch does not engage, repeat these steps again.

### To Close:

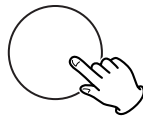
1. Lift the cover all the way up until it stops.
2. The latch should disengage and you may now slowly lower the cover.
3. Make sure you grasp the cover by the edges to avoid pinching your fingers as it closes.





**1** Press the **POWER** switch to turn the unit on.

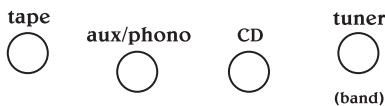
power  
● standby/on



The standby indicator goes off.

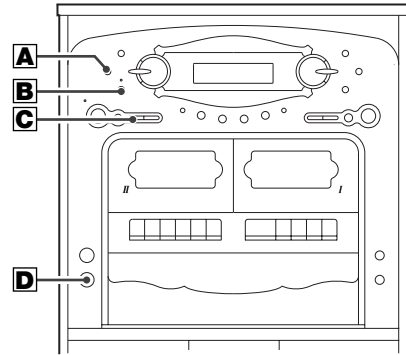
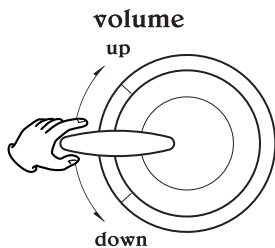
- When the unit is turned on, the **MUTING** indicator lights momentarily. This is not a malfunction.

**2** Select a source by pressing the corresponding button.



- When using the remote control unit, press the **FUNCTION** button repeatedly until the desired source appears on the display.
- To listen to an external source connected to **AUX** jacks, press the **AUX/PHONO** button.
- If you play an external source and a record simultaneously, the sound will be mixed.

**3** Play the source, and adjust the volume by turning the **VOLUME** knob.



**A** **EEPS (Electronic Equalizer Preset System)**



Each time the **EEPS** button is pressed, the mode is changed as follows:

- CLASSIC:** A balanced sound; suitable for classical music.
- ROCK:** Provides a heavy powerful sound; suitable for rock music.
- POPS:** Emphasizes vocal tones; suitable for popular music.
- FLAT:** EEPS is off.

**B** **Muting**

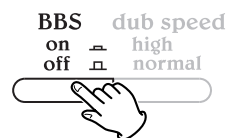
To mute the sound temporarily, press the **MUTING** button. Press the **MUTING** button again to restore the sound.



- While muting is engaged, the muting indicator lights.
- The muting indicator also lights in the stop or pause mode of **CD**, even when the muting isn't selected. When the **PLAY** button is pressed, it goes off.

**C** **Bass Boost System**

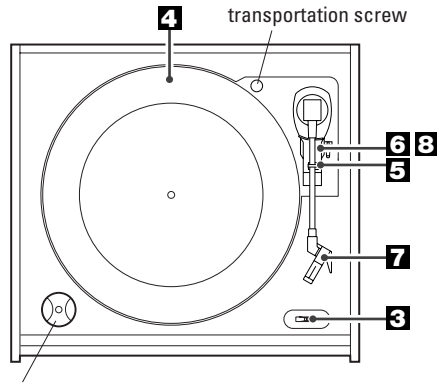
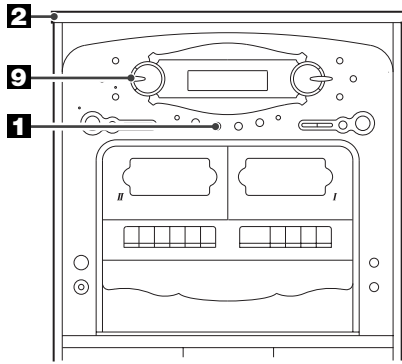
To emphasize bass, press the **BBS** button. Press the button again to turn it off.



**D** **Headphones**

For private listening, insert the headphones plug into the **PHONES** jack, and adjust the volume by turning the **VOLUME** knob. The sound from the speakers is cut off while the headphone jack is inserted.

# Listening to a Record

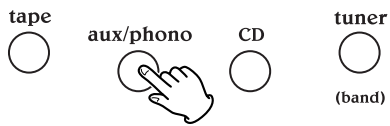


adaptor

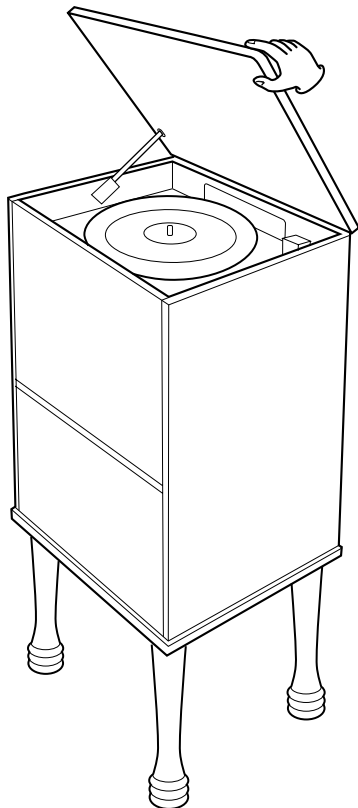
Before use, completely loosen the transportation screw by turning it clockwise with a coin.

Detach the stylus guard (white plastic cover).

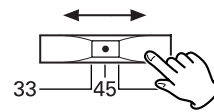
**1** Press the AUX/PHONO button.



**2** Gently open the turntable cover. Be careful not to pinch your finger.



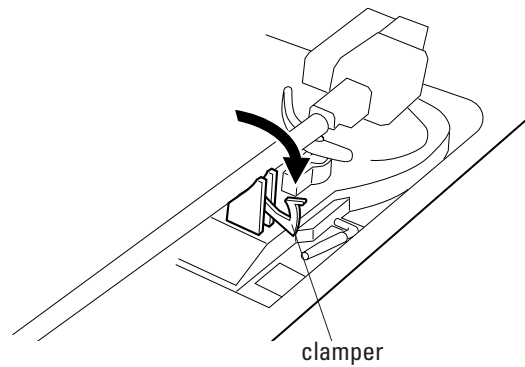
**3** Select the speed.



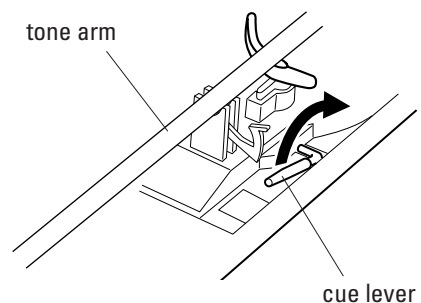
**4** Put the record on the turntable.

When playing a 45 RPM record, use the included adaptor.

**5** Gently push the clamer to the right to release the tone arm.

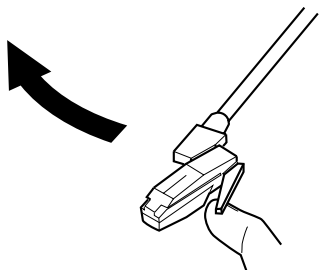


**6** Raise the cue lever to lift the tone arm off the tone arm support.



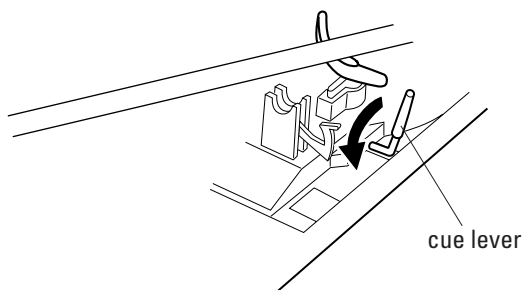
**7** Move the tone arm gently to the edge of the record (or the starting point of a track).

The turntable will begin to turn.

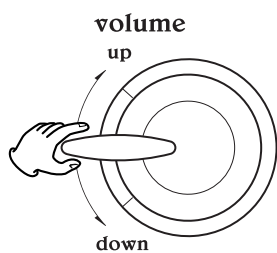


**8** Gently lower the tone arm by slowly releasing the cue lever.

You can lower the tone arm manually if the cue lever has not been raised.



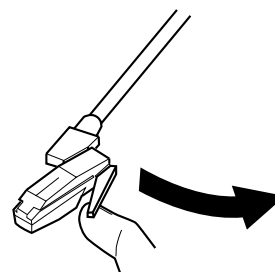
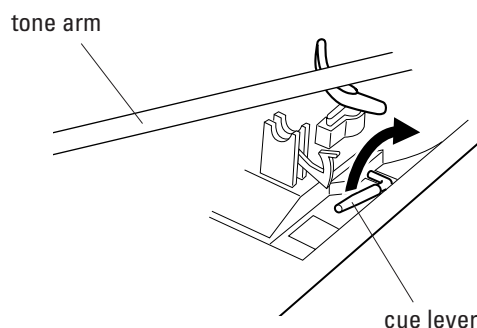
**9** Turn the VOLUME knob to adjust the volume.



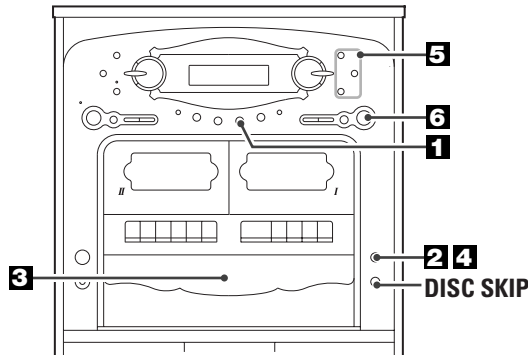
- Playing records with the turntable cover down will prevent dust from settling on the turntable.

**Please do not place anything on top of the turntable cover, especially while playing a record.**

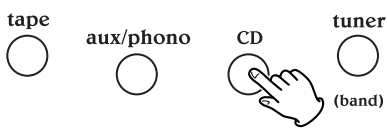
When the playback has been finished, slightly lift the tone arm using the cue lever and return it to the tone arm holder. The rotation stops.



# Listening to CDs



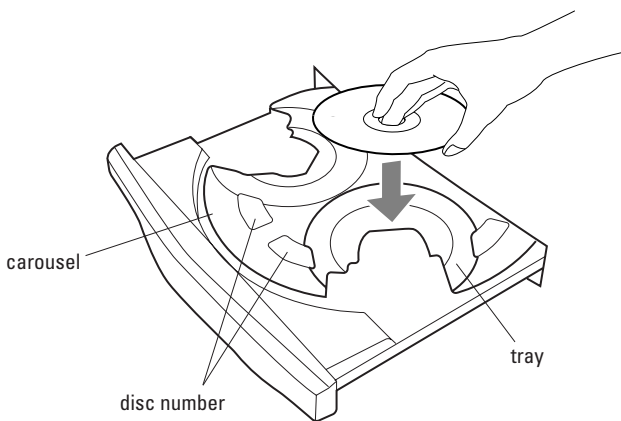
**1** Press the CD button (or the FUNCTION button of the remote control unit) to select "CD".



**2** Press the OPEN/CLOSE button.



**3** Place a disc on a tray with the printed label face up.



- Never place more than one disc on a tray.
- To place a disc on the hidden tray, press the DISC SKIP button.
- Do not touch the carousel while it is rotating.

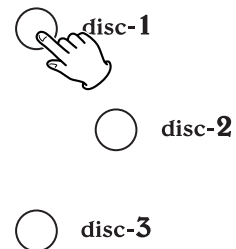
**4** Press the OPEN/CLOSE button to close the tray.



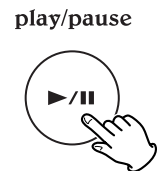
- It takes a few seconds for the unit to load the disc. No buttons will work during loading. Wait until the total number of the tracks and the total play time of the disc are displayed.
- When no disc is set, "NO DISC" blinks.

**5** If you want to select other disc, press the corresponding button (DISC 1, 2 or 3) or the DISC SKIP button.

Playback starts automatically.

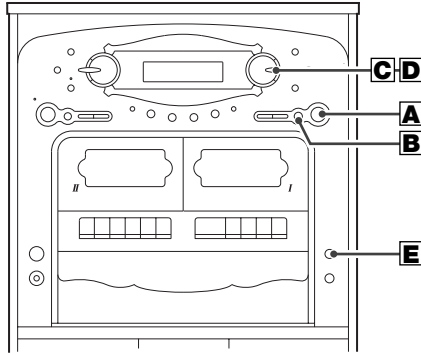


**6** Press the PLAY/PAUSE button to start playback.



Playback starts from the first track of the selected disc. When the playback of all the discs has finished, the unit stops automatically.





**A To suspend playback temporarily (pause mode)**

play/pause



Press the PLAY/PAUSE button during playback. Playback stops at the current position. To resume playback, press the PLAY/PAUSE button again.

**B To stop playback**

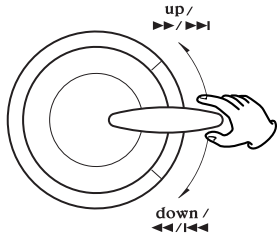
Press the STOP button to stop playback.

stop (clear)



**C To skip to the next or a previous track**

tuning/time CD search



During playback, tap the SKIP knob up or down repeatedly until the desired track is found. The selected track will be played from the beginning.

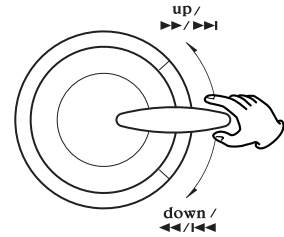
In the stop mode, hold up or down the SKIP knob (or tap the knob repeatedly) and release it when the track you want to listen to is found. Press the PLAY/PAUSE button to start playback from the selected track.

- When the SKIP knob is tapped up during playback, the track being played will be played from the beginning. To return to the beginning of the previous track, tap the knob up twice.
- During programmed playback, the next or previous track in the program is played.

**D Search for a part of a track**

During playback, hold up or down the SKIP knob and release it when the part you want to listen to is found.

tuning/time CD search



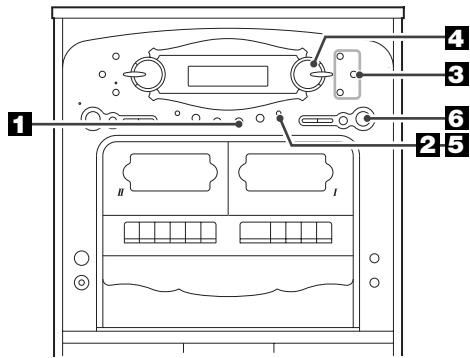
**E Change discs during playback**

open/close



You can change discs that aren't being played, even if another disc is being played. Press the OPEN/CLOSE button to open the tray, change the disc, and press the OPEN/CLOSE button again to close the tray.

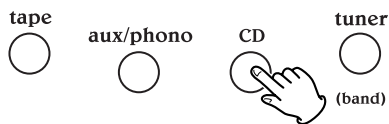
# Programmed Playback



Up to 20 tracks from 3 discs can be programmed in the desired order.

Shuffle, Repeat and Intro check functions don't work during programmed playback.

**1** Press the CD button or the FUNCTION button to select "CD".



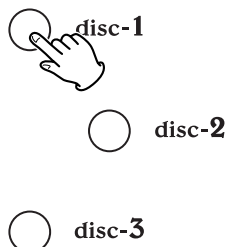
**2** Press the PROGRAM button.



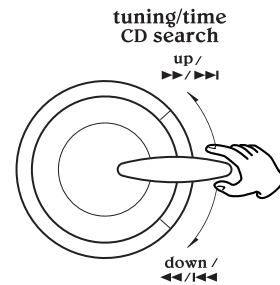
"TRACK", "MEMORY", and the current disc number blinks on the display.

- To cancel the program mode, press the STOP button.
- When no button is pressed for 10 seconds, the program mode will be cancelled.

**3** If you want to select another disc, press the corresponding button or the DISC SKIP button.



**4** Tap up or down the SKIP knob repeatedly to select a track.



**5** Press the PROGRAM button.



The track is programmed, and "P-02" is displayed.

- Repeat step **3** to **5** to program more tracks.
- You can program up to 20 tracks.

**6** When the selection of track numbers is completed, press the PLAY/PAUSE button to start program playback.

play/pause



- If the PLAY/PAUSE button isn't pressed within 10 seconds, the MEMORY indicator will go off. In that case, press the PROGRAM button and then press the PLAY/PAUSE button to start program playback.

- When the playback of all the programmed tracks has finished, or if one of the following buttons is pressed, the MEMORY indicator will go off and the program mode will be cancelled:

STOP, FUNCTION (TAPE, AUX/PHONO, TUNER), POWER  
DISC SKIP, DISC 1,2,3

But the programmed contents aren't lost. You can return to the programmed playback by pressing the PROGRAM button and the PLAY button. (If another source was selected, press the CD button beforehand.)

## To check the programmed order

program/  
clock adj



In the stop mode, press the PROGRAM button repeatedly. The track number and program number will be shown on the display.

## To add a track to the end of the program

In the stop mode, press the PROGRAM button repeatedly until "00" appears on the display. Select a track number by tapping the SKIP knob and then press the PROGRAM button. The track is added to the end of the program.

## To overwrite the program

In the stop mode, press the PROGRAM button repeatedly until the program number to be changed appears on the display. Select a new track number by tapping the SKIP knob and then press the PROGRAM button.

## To clear program

program/  
clock adj

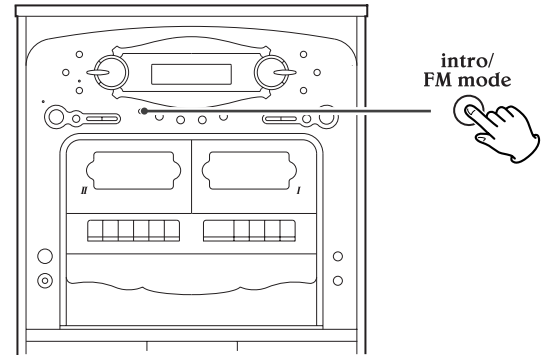


stop  
(clear)



To clear the programmed contents, press the PROGRAM and the STOP button in the stop mode.

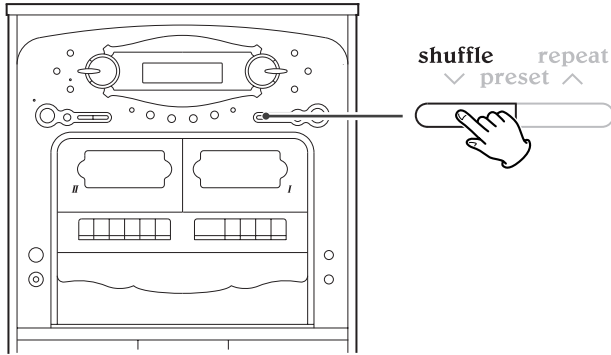
- If the OPEN/CLOSE button is pressed, the programmed contents will also be cleared.
- If the unit is disconnected from the power supply, the programmed contents will be cleared.



Press the INTRO button in the stop mode. The beginning of all the tracks of all the discs is played for 10 seconds each. When a track you want to listen to is found, press the INTRO button to resume normal playback.

- To skip to the next or a previous track, tap the SKIP knob.
- To stop Intro Check function, press the STOP button.

## Shuffle Playback



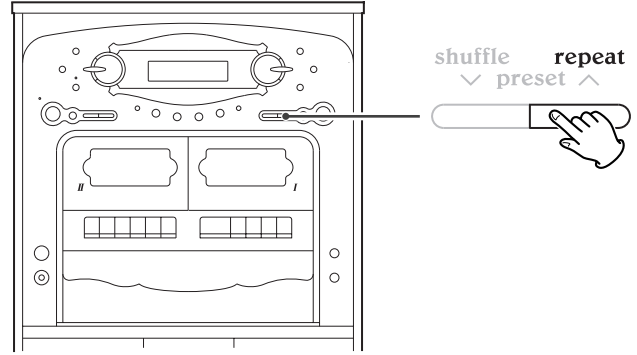
The tracks can be played randomly. Press the SHUFFLE button during playback. (In the stop mode, press the SHUFFLE button and the PLAY/PAUSE button.)

When the shuffle playback of all the tracks of the currently selected disc has been finished, the unit goes to the next disc. When the shuffle playback of all the discs has been finished, the unit stops and the shuffle playback mode is cancelled.

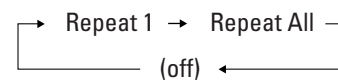
- If you tap down the skip knob during shuffle playback, next track will be randomly selected and played. If you tap up the SKIP knob, the currently played track will be played from the beginning. A track cannot be replayed during shuffle playback.
- Shuffle playback doesn't work during programmed playback.
- If one of the following buttons is pressed, shuffle mode will be cancelled:

SHUFFLE, STOP, FUNCTION (TAPE, AUX/PHONO, TUNER), DISC SKIP, DISC 1,2,3, POWER, OPEN/CLOSE in the stop mode, INTRO in the stop mode

## Repeat Playback



Every time the REPEAT button is pressed, the mode is changed as follows:



### Repeat one track

Press the REPEAT button once during playback. The repeat indicator lights steadily.

The track being played will be played repeatedly. If you tap the SKIP knob and select another track, the track you selected will be played repeatedly.

It is also possible to select a track to be repeated in the stop mode. Press the REPEAT button, select a track by tapping the SKIP knob, and then press the PLAY/PAUSE button to start playback.

- Repeat playback doesn't work during programmed playback.
- If one of the following buttons is pressed, repeat mode will be canceled:

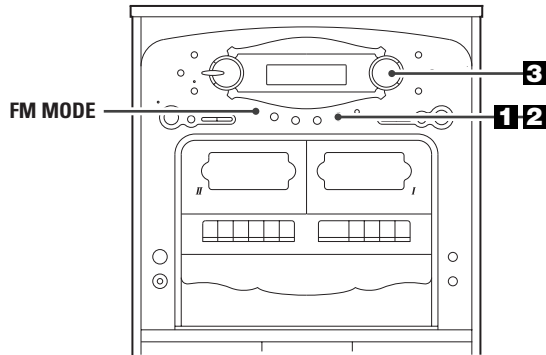
DISC SKIP, DISC 1,2,3, OPEN/CLOSE, SHUFFLE, INTRO in the stop mode

### Repeat All the Tracks of All the Discs

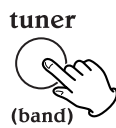
All the tracks of all the discs will be played repeatedly. Press the REPEAT button twice. The repeat indicator blinks.

- Repeat playback doesn't work during programmed playback.
- If one of the following buttons is pressed, repeat mode will be canceled:

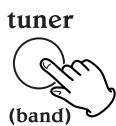
STOP, FUNCTION (TAPE, AUX/PHONO, TUNER), DISC SKIP, DISC 1,2,3, OPEN/CLOSE, POWER



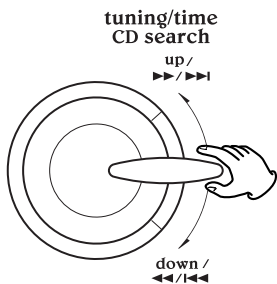
**1** Select "TUNER" by pressing the TUNER(BAND) button or the FUNCTION button.



**2** Select AM or FM by pressing the TUNER(BAND) button.



**3** Select the station you want to listen to (auto selection).



Hold the TUNING knob up or down until the frequency display begins to change. When a station is tuned in, the tuning process will stop automatically.

- Tap the TUNING knob to stop the auto selection.

### Selecting stations which cannot be tuned automatically (manual selection)

When the TUNING knob is tapped momentarily, the frequency changes by a fixed step. Tap the TUNING knob up or down repeatedly until the station you want to listen to is found.

### FM MODE button



Pressing this button alternates between Stereo mode and Mono mode.

#### Stereo:

FM stereo broadcasts are received in stereo and the "STEREO" indicator will light.

#### Mono:

To compensate for weak FM stereo reception, select this mode. Reception will now be forced monaural, reducing unwanted noise.

### If the reception is poor

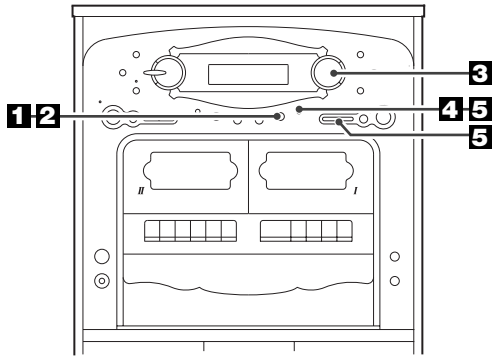
#### AM broadcast:

The AM antenna is built within the cabinet. Reposition the unit to find the best position for AM stations.

#### FM broadcast:

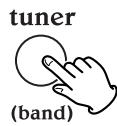
Reposition the FM antenna until you get the best reception.

# Preset Tuning

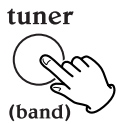


You can store FM and AM stations into preset channels 1 to 20 respectively.

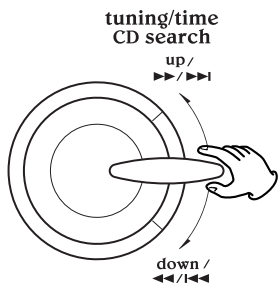
**1** Press the **TUNER(BAND)** button or the **FUNCTION** button to select "TUNER".



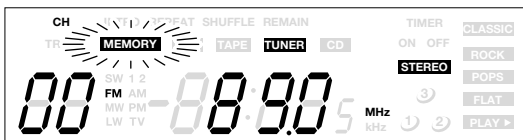
**2** Select AM or FM by pressing the **TUNER(BAND)** button.



**3** Select the station you want to listen to.

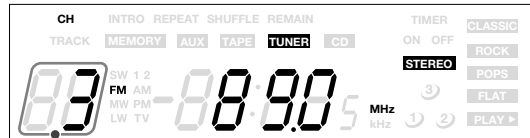
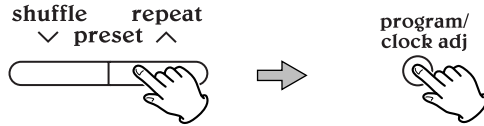


**4** Press the **PROGRAM** button.



The MEMORY indicator blinks.

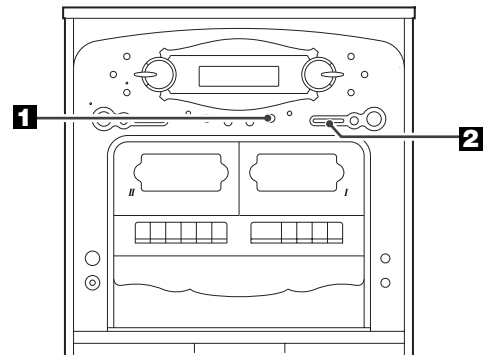
**5** Within 5 seconds, select a preset channel to store the station using the **PRESET** buttons, and then press the **PROGRAM** button.



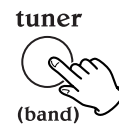
preset channel

The station is stored and the MEMORY indicator goes off. To store more stations, repeat steps **2** to **5**.

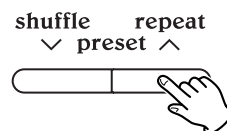
## How to select preset stations

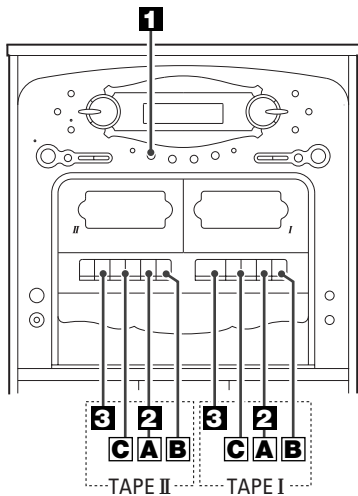


**1** Select AM or FM by pressing the **TUNER(BAND)** button.

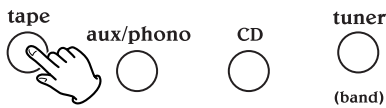


**2** Press the **PRESET** button repeatedly until the desired preset station is found.

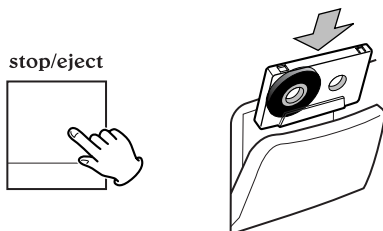




**1** Press the **TAPE** button or the **FUNCTION** button to select "TAPE".



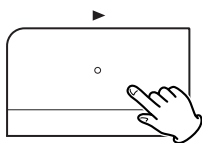
**2** Load a pre-recorded cassette tape.



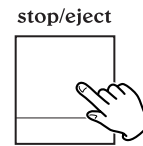
Press the **STOP/EJECT** button to open the cassette holder, load a cassette tape with its exposed side facing down, and close the holder.

- This unit can play normal (Type I) tape only.
- You can use either **TAPE I** or **TAPE II** for playback.

**3** Press the **PLAY** button to start playback.

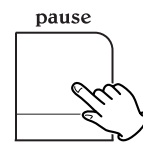


**A** To stop playback



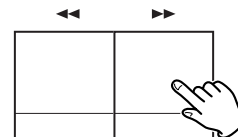
Press the **STOP/EJECT** button to stop playback.

**B** To suspend playback temporarily (pause mode)



Press the **PAUSE** button. Playback stops at the current position. To resume playback, press the **PAUSE** button again.

**C** Fast forward and rewind

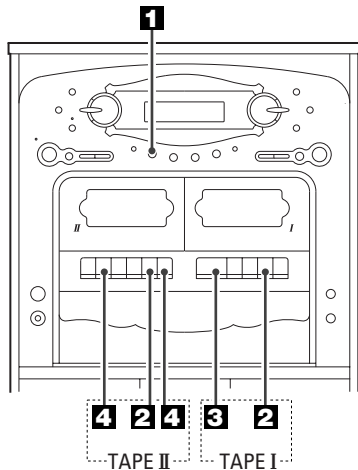


Press the **◀◀** or **▶▶** button.

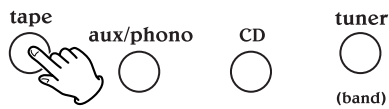
Press the **STOP** button to stop the fast forward or rewind operation.

- When the tape is wound up to the end, be sure to press the **STOP** button to stop the unit.

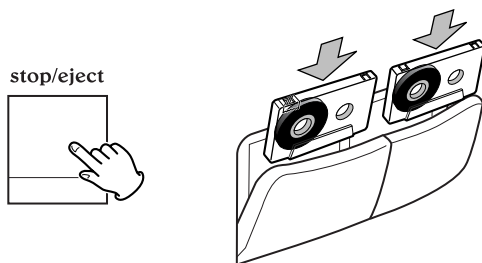
## Extended Playback



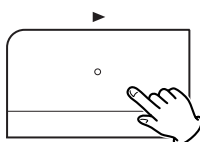
**1** Press the **TAPE** button or the **FUNCTION** button to select "TAPE".



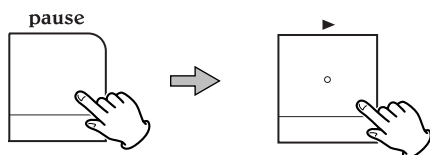
**2** Load cassette tapes into **TAPE I** and **TAPE II**.



**3** Press the **PLAY** button of **TAPE I**.

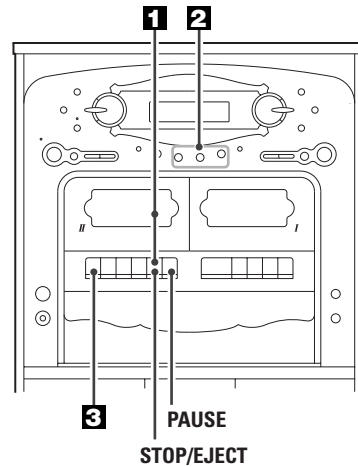


**4** Press the **PAUSE** and the **PLAY** button of **TAPE II**.

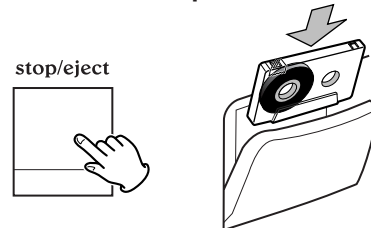


When **TAPE I** stops, **TAPE II** starts playback automatically.  
When **TAPE II** stops, the extended playback ends.

## Recording (TAPE II only)

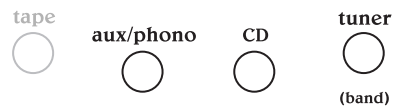


**1** Load a recordable cassette tape into **TAPE II**.



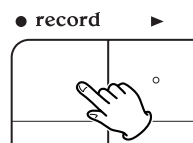
- You can use normal (Type I) tape only.
- If the safety tabs of the cassette tape have been broken off, cover the holes with adhesive tape.

**2** Select the source to be recorded by pressing the corresponding button.



- Do not select **TAPE**.
- Prepare the source to be recorded. When you select "TUNER", tune in a station.

**3** Press the **RECORD** button to start recording.



When the **RECORD** button is pressed, the **PLAY** button is also pressed down automatically.

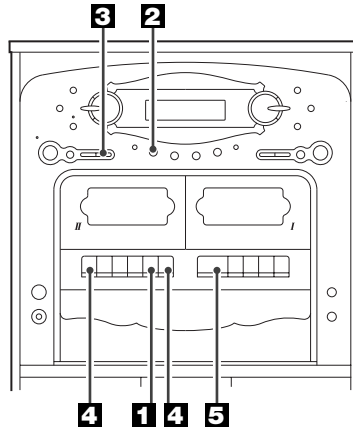
- When you select "CD", the playback of CD starts simultaneously.
- To stop recording temporarily, press the **PAUSE** button. To restart the tape, press the **PAUSE** button again.
- To stop recording, press the **STOP** button.

## CD Synchronous Recording

1. Load a recordable cassette tape into **TAPE II**.
2. Press the **CD** button or the **FUNCTION** button to select "CD".
3. Select a disc to be recorded by pressing the corresponding button (**DISC 1**, **2** or **3**) or the **DISC SKIP** button.
  - You can program tracks to be recorded.
4. Press the **RECORD** button to start recording. The playback of CD starts simultaneously.
  - To stop recording, press the **STOP** button.

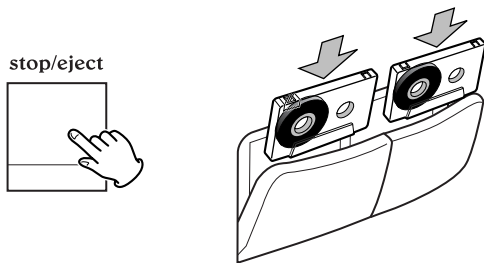


# Dubbing (Copy from TAPE I to TAPE II)

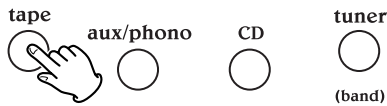


**1** Load a pre-recorded cassette tape into TAPE I and a recordable cassette tape into TAPE II.

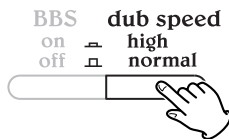
- You can use normal (Type I) tape only.



**2** Press the TAPE button or the FUNCTION button to select "TAPE".



**3** Select the dubbing speed by pressing the DUB SPEED button.



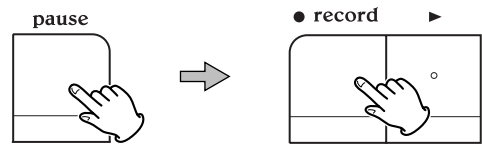
**high:**

Dubbing is performed at high speed.  
(You may lose some fidelity during high speed dubbing.  
Make a trial recording to verify the audio quality.)

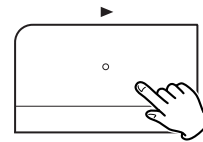
**normal:**

Dubbing is performed at normal speed.

**4** Press the PAUSE button and the RECORD button of TAPE II.



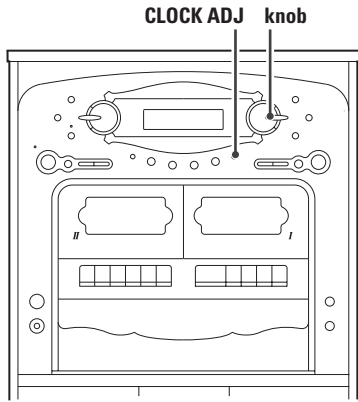
**5** Press the PLAY button of TAPE I.



The dubbing starts.

- Do not select another source during dubbing, or the dubbing will be interrupted.
- To stop dubbing, press the STOP buttons of TAPE I and II.

# Setting the Clock



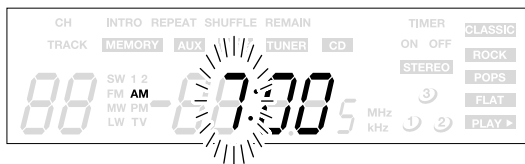
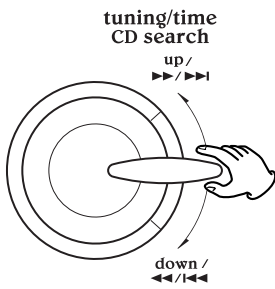
- If the unit is on, press the POWER switch to turn it off, or press the DISPLAY button once or twice to display the clock (":" will blink).

## 1 Press the CLOCK ADJ button.

The "hour" value blinks.

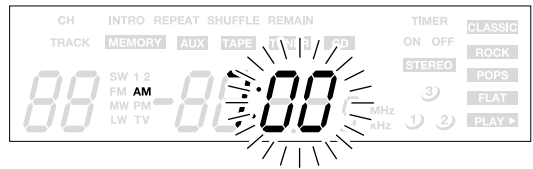


## 2 Hold up or down the knob to set the current hour.

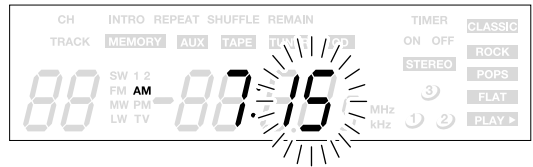
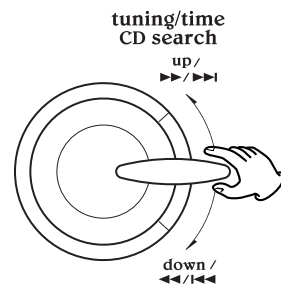


## 3 Press the CLOCK ADJ button.

The "minute" value blinks.



## 4 Hold up or down the knob to set the current minute.

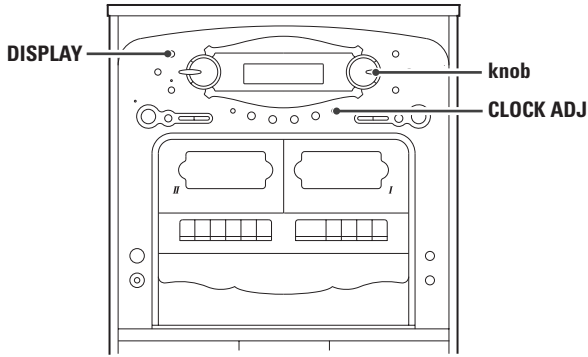


## 5 Press the CLOCK ADJ button.

The clock starts.



# Setting the Timer 1

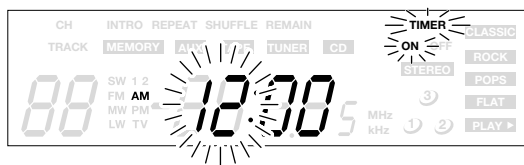


Adjust the clock before setting the timer.

- 1 Press the **DISPLAY** button repeatedly until "TIMER ON" indicator appears on the display.



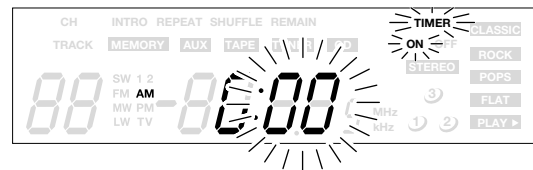
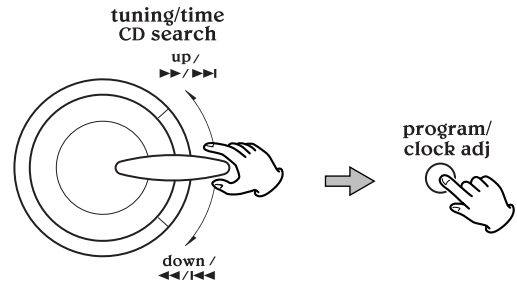
- 2 Within 5 seconds, press the **CLOCK ADJ** button.



The "hour" value starts flashing.

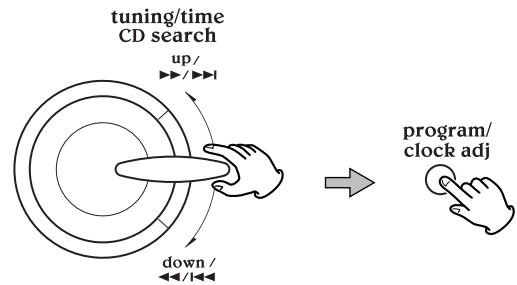
- When no button is pressed for 10 seconds, the timer setting mode will be cancelled.

- 3 Hold up or down the knob to set the start time(hour), and press the **CLOCK ADJ** button.



The "minutes" value starts flashing.

- 4 Hold up or down the knob to set the start time(minutes), and press the **CLOCK ADJ** button.



- 5 Press the **DISPLAY** button.

"TIMER OFF" indicator appears on the display.



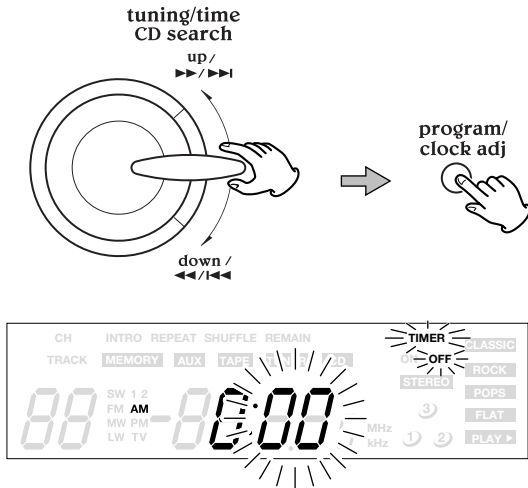
- 6 Within 5 seconds, press the **CLOCK ADJ** button.



The "hour" value starts flashing.

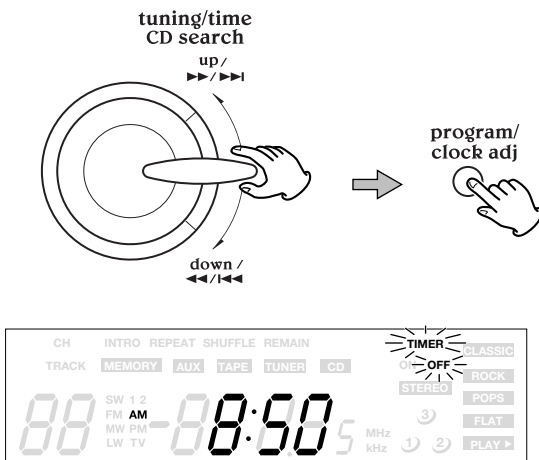
## Setting the Timer 2

- 7 Hold up or down the knob to set the stop time(hour), and press the CLOCK ADJ button.



The "minutes" value starts flashing.

- 8 Hold up or down the knob to set the stop time(minutes), and press the CLOCK ADJ button.

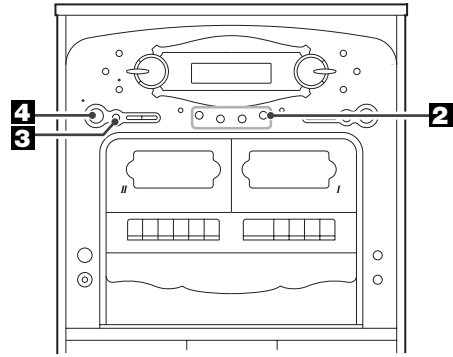


- 9 Press the DISPLAY button (or leave the unit for 5 seconds).

Now the timer setting is stored in memory.

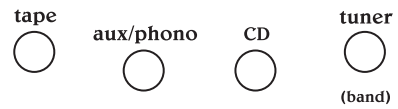


## Timer Playback



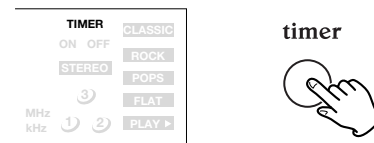
- 1 Set the start time and stop time (see 27 page).

- 2 Select a source by pressing the corresponding button.



- Prepare the source. When you select "TUNER", tune in a station.

- 3 Press the TIMER button.



"TIMER" indicator appears on the display.

- 4 Press the POWER switch to turn the unit off (standby).

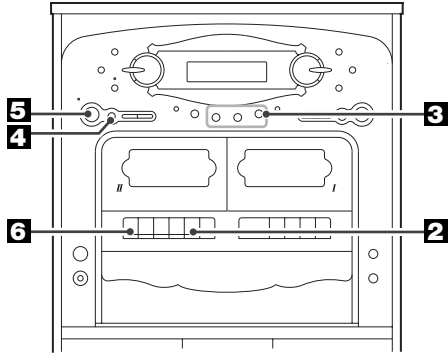


When "TAPE" is selected, press the PLAY button of TAPE I or II.

The unit will turn on and off at the specified time.

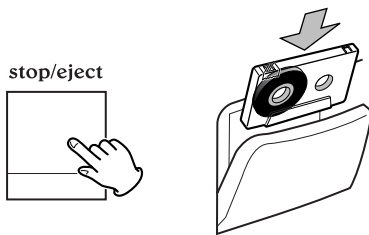
- The timer doesn't work when the unit is turned on manually.
- When you don't use timer, press the TIMER button to turn it off.

## Timer Recording

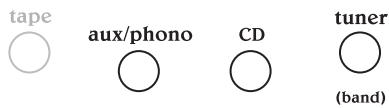


**1** Set the start time and stop time (see 27 page).

**2** Load a recordable cassette tape into TAPE II.

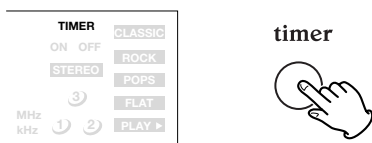


**3** Select a source to be recorded by pressing the corresponding button.



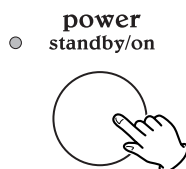
- Don't select "TAPE".
- When you select "TUNER", tune in a station.

**4** Press the TIMER button.

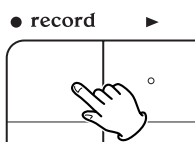


"TIMER" indicator appears on the display.

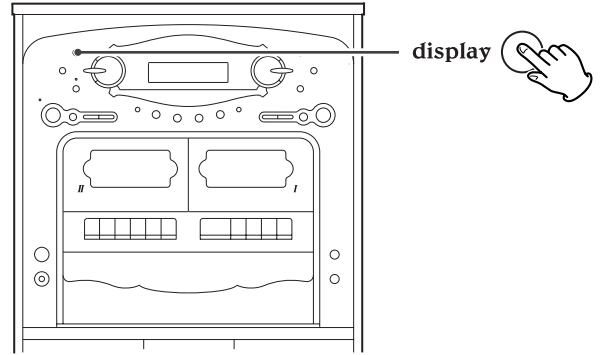
**5** Press the POWER switch to turn the unit off(standby).



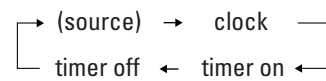
**6** Press the RECORD button of TAPE II.



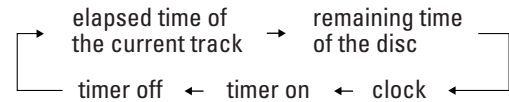
## Display



Each time the DISPLAY button is pressed, the display is changed as follows:



**During playback of CD:**



**When the unit is on:**

"clock", "timer on" or "timer off" is displayed for 5 seconds, and then returns to "source".

**When the unit is off:**

"timer on" or "timer off" is displayed for 5 seconds, and then returns to "clock".

## Troubleshooting

If you have problems with your system, look through this chart and see if you can solve the problem yourself before calling your dealer or TEAC service center.

### No power

- Check the connection to the AC power supply. Check and make sure the AC source is not a switched outlet and that, if it is, the switch is turned on. Make sure there is power to the AC outlet by plugging another item such as a lamp or fan.

### No sound from speakers.

- Select the source by pressing the corresponding button or the FUNCTION button.
- Adjust the volume.
- Pull out the headphone's plug from the PHONES jack.
- If the muting indicator is lit, press the MUTING button. (When "CD" is selected, press the PLAY button to start playback.)

### The sound is noisy.

- The unit is too close to a TV or similar appliances. Install the unit apart from them, or turn them off.

### Remote control doesn't work.

- Press the POWER switch to turn the unit on.
- If the batteries are dead, change the batteries.
- Use remote control unit within the range (5m /15ft) and point at the front panel.
- Clear obstacles between the remote control unit and the main unit.
- If a strong light is near the unit, turn it off.

## CD Player

### Cannot play.

- Load a disc with the playback side facing down.
- If the disc is dirty, clean the surface of the disc.
- A blank disc has been loaded. Load a prerecorded disc.
- This unit cannot play CD-RW discs.
- Depending on the disc, etc. it may not be possible to play back CD-R discs. Try again with another disc.
- You cannot play back unfinalized CD-R discs. Finalize such a disc in a CD recorder and try again.

### Sound skips.

- Place the unit on a stable place to avoid vibration and shock.
- If the disc is dirty, clean the surface of the disc.
- Don't use scratched, damaged or warped discs.

### The SHUFFLE button doesn't work.

- Shuffle playback won't work until you clear the programmed contents. If you want to clear the programmed contents, press the PROGRAM button and the STOP button.

## Tuner

### Cannot listen to any station, or signal is too weak.

- Tune in the station properly.
- Rotate the unit or FM antenna wire for the best reception position.

### Though the broadcast is stereo, it sounds monaural.

- Press the FM MODE button.

## Cassette Tape Deck

### The cassette holder cannot be closed.

### The buttons don't work.

- Insert a cassette tape securely.

### Sound is distorted or noisy.

- Clean and demagnetize the heads.
- Use Normal tape.

### Cannot record.

- If the safety tabs of the cassette tape have been broken off, cover the holes with adhesive tape.
- Clean and demagnetize the heads.

## Record Player

### Cannot play.

- Loosen the screw, and detach the stylus guard. (The stylus guard is a white plastic cover that protects the stylus during transportation. Failing to remove this guard will not allow the needle to contact the groove of the record and no sound will be heard!)
- If the stylus is worn-out, change the stylus.
- Select the correct playback speed.

### Sound skips.

- Place the unit on a stable place to avoid vibration and shock. Make sure the unit is level both front to back and side to side.
- Clean the surface of the record.
- Don't use scratched, damaged or warped records.

**If normal operation cannot be recovered, unplug the power cord from the outlet and plug it again.**

**If the unit is disconnected from the power supply, the settings kept in memory (clock, preset stations, timer setting) will be erased.**

# Specifications

## AMPLIFIER section

Output Power ..... 15W+15W  
Input Sensitivity ..... 220mV  
Frequency Response..... 50 to 20,000 Hz

## TUNER Section (FM)

Frequency Range ..... 87.50 to 108.00 MHz  
Sensitivity (S/N30dB) ..... 20dB $\mu$ V

## TUNER Section (AM)

Frequency Range ..... 530 to 1710 kHz  
Sensitivity (S/N20dB) ..... 60dB $\mu$ V/m

## CD PLAYER Section

Frequency Response..... 20 to 20,000 Hz ( $\pm$ 1dB)  
Signal-to-Noise Ratio..... 55dB  
Wow and Flutter ..... Unmeasurable

## CASSETTE DECK Section

Track System..... 4 track, 2 channel stereo  
Tape Speed..... 4.8cm/sec  
Wow and Flutter ..... 0.35% (WRMS)  
Frequency Response..... 100 to 8,000 Hz  
Signal-to-Noise Ratio..... 35dB

## RECORD PLAYER Section

Motor..... DC servo motor  
Drive System ..... Belt Drive  
Speed..... 33-1/3 rpm, 45 rpm, 78 rpm  
Wow and Flutter ..... less than 2.5%(WRMS)  
S/N ratio..... More than 50dB  
Cartridge type ..... Ceramic Stereo Cartridge  
Stylus ..... STL-103

## SPEAKER SYSTEM Section

Type ..... 2-way bass reflex  
Impedance..... 8 ohms

## GENERAL

Power Requirements ..... 120V, 60Hz  
Power Consumption..... 50 W  
Dimension ( W x H x D ) ..... 15-5/16" x 35-1/8" x 14-13/16"  
(389 x 892.5 x 377 mm)  
Weight..... 43-1/4 lb (19.6 kg)

## Standard Accessories

Remote Control Unit (RC-905) x 1  
45 RPM adaptor x 1  
Owner's Manual x 1  
Warranty Card x 1

- Design and specifications are subject to change without notice.
- Weight and dimensions are approximate.
- Illustrations may differ slightly from production models.

Nous vous remercions pour l'achat d'un appareil TEAC. Lire ce manuel avec attention pour obtenir les meilleures performances possibles de cet appareil.

Sommaire.....	32
Avant l'utilisation.....	32
Disques.....	33
Bandes.....	34
Manutention des disques.....	35
Comment remplacer l'aiguille.....	35
Branchement.....	36
Boîtier de télécommande.....	37
Nomenclature (Panneau avant/Télécommande).....	39
Nomenclature (Table tournante).....	40
Opération de base.....	41
Écoute de disque.....	42
Écoute de CD.....	44
Lecture programmée.....	46
Intro.....	47
Répétition de la lecture.....	48
Lecture aléatoire.....	48
Écoute de la radio.....	49
Syntonisation pré-réglée.....	50
Écoute de bandes.....	51
Lecture continu.....	52
Enregistrement.....	52
Copiage (Copiage de TAPE I à TAPE II).....	53
Réglage de l'horloge.....	54
Réglage de la minuterie.....	55
Lecture minutée.....	56
Enregistrement minuté.....	57
Afficheur.....	57
Dépannage.....	58
Spécifications.....	59

### AVERTISSEMENT

Ne pas exposer cet appareil à tout liquide. Tenir loin tout objets contenant des liquides tel que vases, verres d'eau, plantes etc... du dessus de l'appareil.

Ne pas installer cet appareil dans un endroit contraint tel que bibliothèque ou endroit semblable.

### Lire ce qui suit avant d'utiliser l'appareil

- Il est possible que l'appareil devienne chaud durant l'utilisation, toujours laisser un espace suffisant autour de l'appareil pour la ventilation.
- La tension d'alimentation doit correspondre à la tension imprimée sur le panneau arrière, si vous avez des doutes concernant l'alimentation de l'appareil consultez un électricien.
- Choisir l'emplacement de l'appareil soigneusement. Évitez de l'exposer directement aux rayons solaires ou près d'une source de chaleur. Évitez aussi des endroits sujet aux vibrations poussière excessive, chaleur, froid et humidité.
- Ne pas installer l'appareil au dessus d'un amplificateur/récepteur ou n'importe quel appareil électronique générant de la chaleur.
- Ne pas ouvrir le boîtier scellé cela peut endommager le circuit ou causer un choc électrique. Si un objet pénètre l'appareil consultez votre dépositaire Teac ou agence de service.
- Quand vous débranchez l'appareil, toujours tirez la prise, jamais le cordon d'alimentation.
- Pour faire en sorte que la tête de lecture laser reste propre, ne jamais la toucher avec les doigts et ne pas oublier de fermer le plateau porte-disque.
- Ne pas essayer de nettoyer l'appareil avec des dissolvants chimiques, cela peut endommager le fini. Utilisez un chiffon propre et sec.
- Conservez ce livret dans un endroit sûr pour référence future.

### NE PAS DÉPLACER L'APPAREIL DURANT LA LECTURE

Ne PAS soulever ou déplacer l'appareil durant la lecture. Cela peut endommager le disque.

### QUAND VOUS DÉPLACEZ CET L'APPAREIL

Quand vous changez l'endroit où l'appareil est installé ou vous emballez l'appareil pour un déménagement, assurez-vous d'enlever le disque. Le déplacement de cet appareil avec un disque peut l'endommager. Si l'appareil va être emballé et déplacé une grande distance, il est préférable de serrer la visse de verrouillage du transport de la table tournante. Voir page 40 pour des instructions.

### Mise en garde sur la condensation

Si l'appareil (ou un disque) est déplacé d'un endroit froid à un endroit chaud, ou utilisé après un changement soudain de température, il existe un danger de condensation; des vapeurs dans l'air peuvent se condensées sur le mécanisme interne, empêchant un bon fonctionnement. Pour prévenir cela, ou s'il se produit, laissez l'appareil allumé pour une ou deux heures. L'appareil se stabilisera à la température ambiante.

### Entretien

Toujours garder la table tournante propre. Si la surface de l'unité est sale, essuyez avec un chiffon doux ou utilisez un savon liquide doux dilué. Assurez-vous d'enlever tout excès. Ne pas utiliser de diluant, benzine ou alcool car ils peuvent endommager la surface de l'appareil. Attendez que la surface est sèche avant l'utilisation.



## Disques pouvant être lus avec ce lecteur :

- CD audio classiques, portant le logo CD-DA sur l'étiquette :

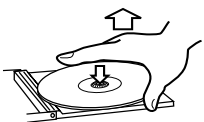


- Disques CD-R correctement finalisés

### Note :

- Selon la qualité du disque et/ou la qualité de l'enregistrement, certains disques CD-R risquent de ne pas pouvoir être lus.
- Cet appareil ne permet pas de lire les disques CD-RW.
- Les disques protégés contre la reproduction, ainsi que les disques non-conformes à la norme CD risquent de ne pas pouvoir être lus correctement par ce lecteur.  
Nous déclinons toute responsabilité en cas de dommages provoqués par la lecture de disques de ce type et pour la qualité sonore résultante. Si vous rencontrez des difficultés avec des disques non conformes, contactez directement les producteurs du disque.

- Placer toujours le disque sur le plateau, la face imprimée sur le dessus (les disques compacts ne sont enregistrés que sur une seule face.)
- Pour sortir un disque de son emballage, appuyer sur la partie centrale de l'étui et sortir le disque en veillant à bien le tenir par les bords.



Comment sortir un disque de son emballage

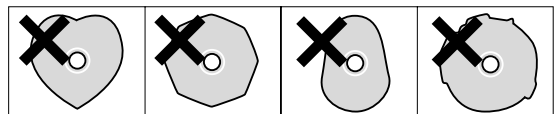


Comment tenir le disque

- Si la surface du disque est sale, l'essuyer soigneusement à l'aide d'un chiffon doux et sec.



- Ne jamais utiliser de produits chimiques, tels que des sprays, des liquides antistatiques, de l'essence ou des diluants pour nettoyer les disques. Ces produits chimiques risquent de provoquer des dégâts irréparables sur la surface en plastique du disque.
- Ranger les disques dans leur étui après utilisation afin d'éviter de les rayer ou que de la poussière ne se dépose, ceci pouvant compromettre la lecture par la tête laser.
- Ne pas exposer les disques à la lumière directe du soleil, à une température élevée ou à une humidité excessive pendant une période prolongée. De telles expositions risquent de provoquer une déformation du disque.
- Les disques CD-R sont plus sensibles aux effets de la chaleur et aux rayons ultraviolets que les disques compacts ordinaires. Il est donc particulièrement important de les ranger dans un endroit à l'abri de la lumière directe du soleil et de toute source de chaleur, telle que des radiateurs ou des appareils électriques, susceptibles de dégager de la chaleur.
- Il est déconseillé d'utiliser des disques CD-R inscriptibles, la face portant l'étiquette risquant d'être collante et d'endommager l'appareil.
- Ne jamais coller d'étiquette ou de feuille de protection sur le disque; ne pas utiliser de spray destiné à déposer sur le disque une couche de protection.
- Utiliser, pour écrire des informations sur la face portant l'étiquette, un feutre utilisant une encre à base d'huile. Ne jamais utiliser de stylo bille ou de stylo à pointe dure, qui risquerait d'abîmer la surface enregistrée du disque.
- Ne jamais utiliser de stabilisateurs. L'utilisation, avec cet appareil, de stabilisateurs pour CD disponibles dans le commerce, pourrait endommager les mécanismes de l'appareil et provoquer son dysfonctionnement.
- Ne pas utiliser de CD ayant une forme irrégulière (octogonale, en forme de cœur, etc.), ceux-ci risquant d'endommager l'appareil.

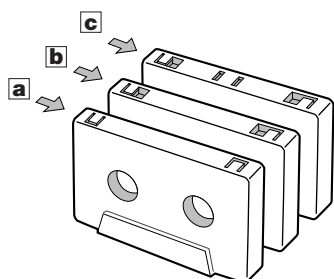


- En cas de doute quant à la manipulation des CD-R, lire les instructions fournies avec le disque ou contacter directement le fabricant du disque.

## Choix de bande

Pour que le choix automatique de bande fonctionne correctement, les bandes métals ou chromes (cobalt) doivent posséder des trous d'identification.

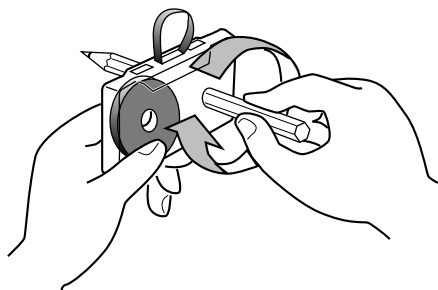
- Cet appareil permet d'utiliser des cassettes Normales (type I).



- a** Normale (Type I)
- b** CrO<sub>2</sub> (Type II)
- c** Métal (Type IV)

## Manipulation des bandes

Utiliser un doigt ou un crayon pour tourner le moyeu de la cassette et rattraper le jeu de la bande.



- Éviter de toucher la bande. Les empreintes digitales attirent la poussière et les saletés.

### Ne pas entreposer des bandes dans les endroits suivants:

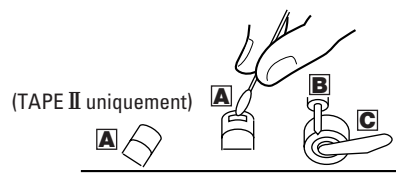
- Sur des radiateurs, au soleil ou dans un endroit où la température est élevée.
- Près de haut-parleurs, sur des téléviseurs ou amplificateurs ou encore près de champs magnétiques puissants.
- Dans des endroits où l'humidité est élevée ou poussiéreux et sales.
- Éviter d'échapper ou soumettre les cassettes à des chocs excessifs.
- Comme les bandes des cassettes C120 sont physiquement faibles et peuvent facilement se coincer dans le mécanisme de transport, ne pas les utiliser.

## Entretien

Les têtes et le chemin de la bande doivent être nettoyés et démagnétisés périodiquement.

### Nettoyage du chemin de bande

- Appliquer un liquide de nettoyage de tête sur le coton-tige spécial ou sur un chiffon doux et frotter légèrement les têtes **A**, cabestans **B** et toutes les pièces de métal du chemin de bande.
- Nettoyer aussi le galet presseur **C** avec un liquide de nettoyage pour caoutchouc.

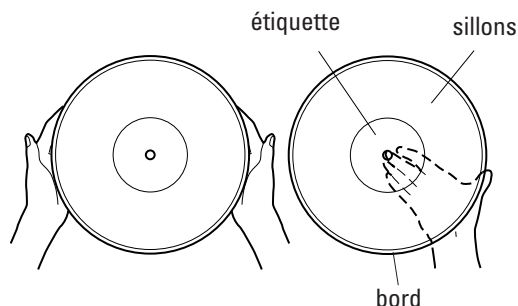


### Démagnétisation des têtes

S'assurer que l'alimentation est coupée, puis démagnétiser les têtes avec le démagnétiseur. Pour plus de détails sur son utilisation, lire son manuel d'instructions.

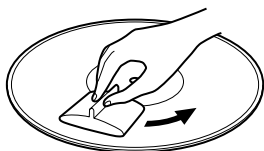
## Manutention des disques

- Ne pas touchez les sillons. Manipulez les disques par leur bords ou l'étiquette seulement, avec des mains propres. Les huiles de la peau, même si les mains sont propres, peuvent laisser un résidu sur la surface du disque qui va graduellement détériorer la qualité de vos disques.



- Tenir vos disques loin de la poussière. Gardez dans un endroit frais et sec.
- Afin d'éviter la poussière et les égratignures, gardez vos disques dans leurs étuis quand ils ne sont pas utilisés.
- Entrez vos disques debout sur leurs bords. Les disques entreposés horizontalement vont éventuellement pliés et gondolés.
- Ne pas exposez vos disques aux rayons solaires directs ou une humidité et température élevées. Une exposition prolongée à de hautes températures va gondolé le disque.
- Ne pas entreposez vos disques dans la valise de votre voiture. Les températures existantes dans la valise vont ruinées votre collection.
- Entrez vos disques dans un endroit ayant une température et humidité stables.
- Si le disque est sale, essuyez gentillemt sa surface utilisant une motion circulaire, utilisant un chiffon doux anti-statique.

Plusieurs systèmes de nettoyage de disque sont disponibles chez plusieurs marchands et sur ligne. TEAC n'endorse pas aucun produit spécifique mais, dépendemnt de la condition de la collection de vos disques, çela peut s'avérer être un bon choix. Des disques propres protègent votre aiguille contre l'usure.



## Comment remplacer l'aiguille

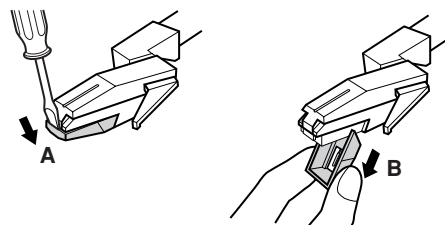
L'aiguille devrait durer environ 50 heures avec un usage normal. Par contre, il est recommandé de remplacer l'aiguille aussitôt que vous remarquez un changement de la qualité sonore. Un usage prolongé d'une aiguille usée peut endommager vos disques. L'usure est accélérée quand vous jouez des disques 78 RPM. L'augmentation de vitesse accélère l'usure.

### Avertissement:

- Ne pas enlever ou plier l'aiguille.
- Pour éviter des blessures, ne pas toucher l'aiguille.
- Éteindre l'appareil avant de remplacer l'aiguille.
- Tenir loin des enfants.
- Manipuler avec soin, car l'aiguille est délicate. L'utilisation d'une aiguille pliée ou brisée peut endommager le disque et engendrer un mauvais fonctionnement.
- Ne pas exposer l'aiguille à une chaleur élevée.
- Contactez une station de service qualifiée si vous avez de la difficulté à remplacer l'aiguille.

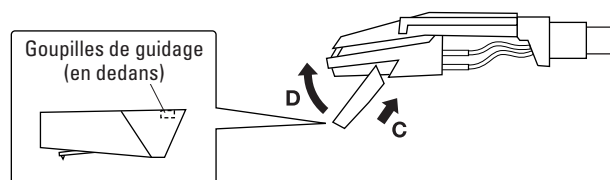
### Enlèvement de l'aiguille

1. Placer un tournevisse au bout de l'aiguille et pousser vers le bas dans la direction "A".
2. Tirer dans la direction "B".

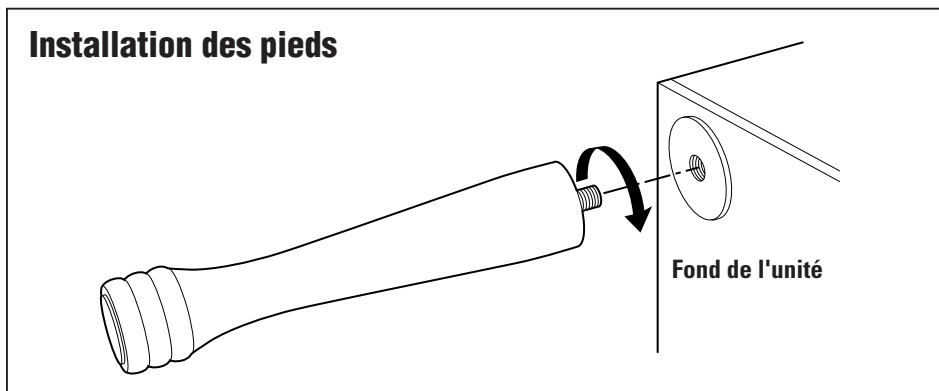
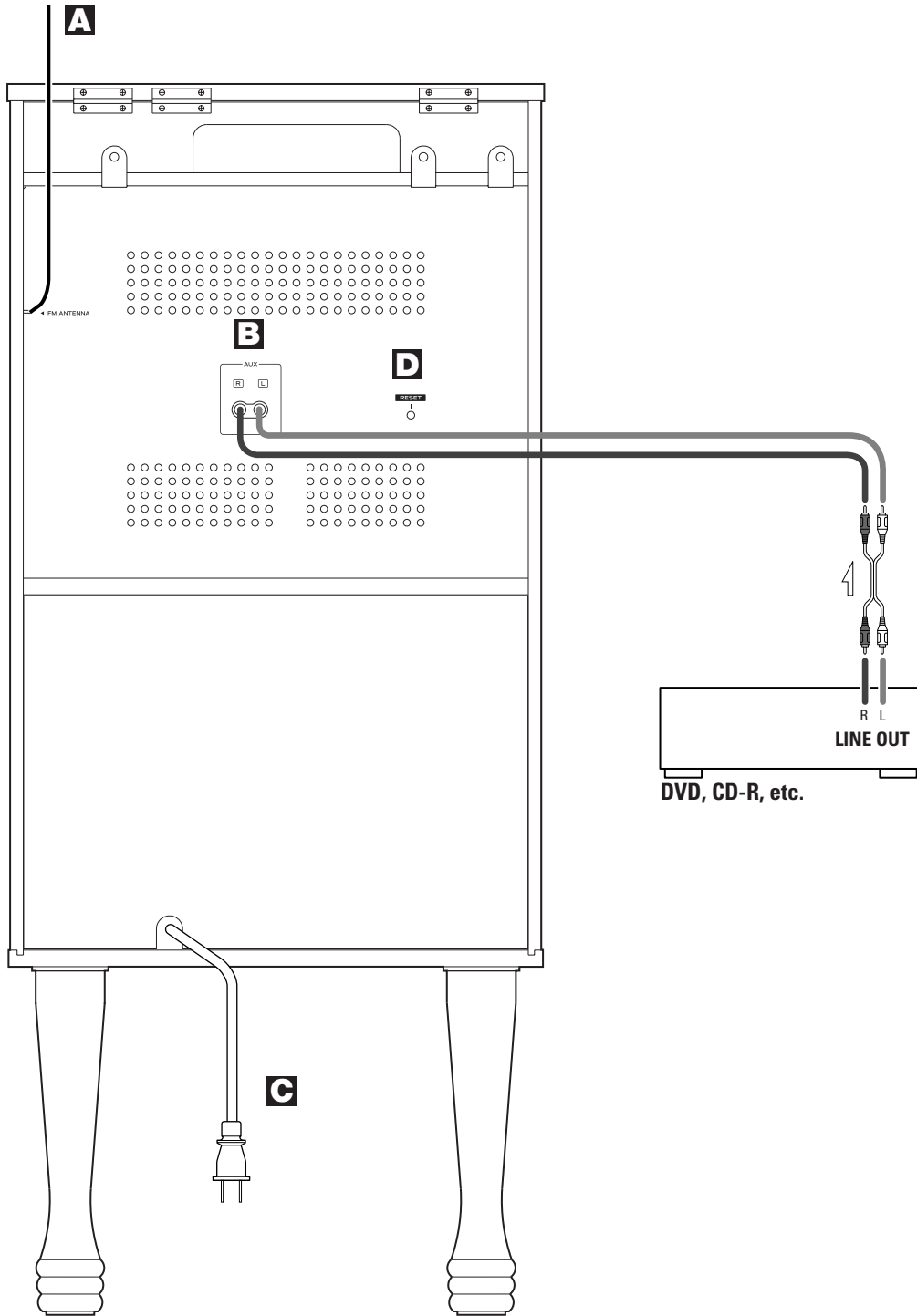


### Installation d'une nouvelle aiguille

1. Tenir le bout de l'aiguille et insérer l'autre section dans la direction "C".
2. Poussez vers le haut dans la direction "D" jusqu'à temps que le bout enclenche.



L'aiguille de remplacement pour ce GF-600 est STL-103. Veuillez contacter Teac Canada, département des pièces au (905) 890-8008, poste 118 pour commander. Vous pouvez aussi obtenir le nom d'une station de service qui peut remplacer l'aiguille pour vous au même numéro.



### ATTENTION

Mettre tous les éléments de votre chaîne hors tension avant de procéder au raccordement de cet appareil.

Lire attentivement le mode d'emploi de chacun des éléments que vous souhaitez utiliser avec cet appareil.

- Assurez vous que chaque fiche est bien enfoncée. Pour éviter tout ronflement ou bruit parasite, ne pas regrouper les fils de connexion avec le cordon d'alimentation ou avec les fils des enceintes.

### A Antenne FM

En mode FM, syntonisez un poste FM et étendre le fil pour trouver une position donnant la meilleure réception. Cette antenne doit être repositionner ci l'appareil est déplacé.

### B AUX

Vous pouvez brancher un lecteur DVD, magnétophone à cassette etc... à cet appareil.

Branchez le composant utilisant des cordons RCA. Assurez-vous de brancher la prise blanche avec le connecteur blanc (Gauche) et la prise rouge avec le connecteur rouge (Droit).

### C Cordon d'alimentation CA

Branchez ce cordon d'alimentation dans une prise de courant CA

### D Commutateur RESET

Dans les cas suivants, les boutons de fonctions peuvent ne pas fonctionner correctement

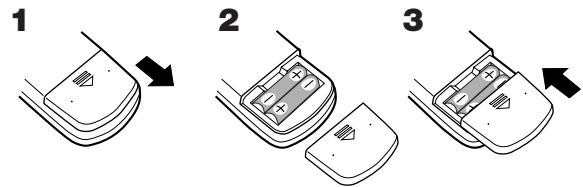
- Quand le système est endommagé par un choc électrique.
- Quand l'alimentation est irrégulière ou bruyante

Dans ces cas, appuyer la touche RESET une ou deux fois avec un crayon ou un stylo.

Le boîtier de télécommande fourni permet la commande à distance de l'appareil. Pour l'utilisation du boîtier de télécommande, le diriger vers le détecteur de télécommande du panneau avant de l'appareil.

- Même si le boîtier de télécommande est activé dans la zone de fonctionnement, la commande à distance peut être impossible s'il y a des obstacles entre le lecteur et le boîtier de télécommande.
- Si le boîtier de télécommande fonctionne dans le voisinage d'autres appareils générant des rayons infrarouges, ou si d'autres télécommandes utilisant des rayons infrarouges sont utilisées près du lecteur, le lecteur peut de ne pas bien fonctionner. Dans la situation inverse, les autres appareils peuvent ne pas bien fonctionner.

### Mise en place des piles



- 1 Retirer le couvercle du compartiment des piles.
- 2 Introduire deux piles "AAA" (R03, UM-4). S'assurer que les piles sont correctement mises en respectant les polarités plus  $\oplus$  et moins  $\ominus$ .
- 3 Fermer le couvercle jusqu'au déclic.

### Remplacement des piles

Si vous remarquez que la distance entre le boîtier de télécommande et le lecteur devient plus courte pour un fonctionnement correct, ceci indique que les piles sont usées. Dans ce cas, remplacer les piles par des nouvelles.

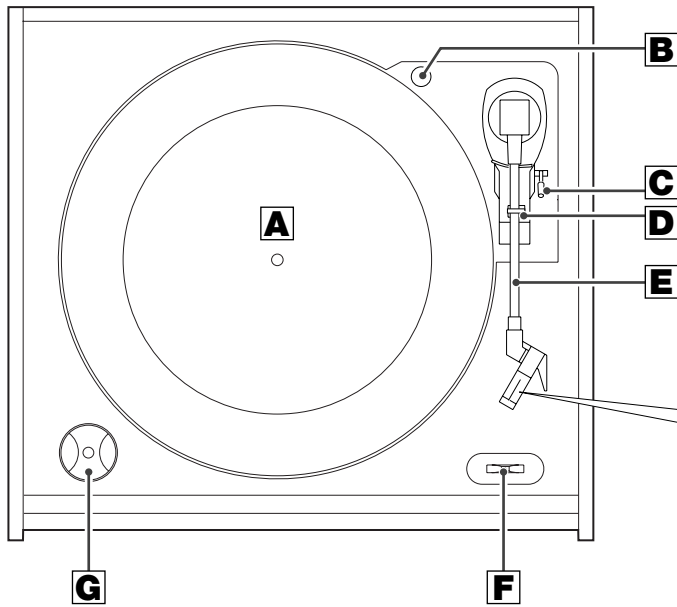
### Précautions à observer concernant les piles

- Bien placer les piles en respectant les polarités plus  $\oplus$  et moins  $\ominus$ .
- Utiliser des piles du même type. Ne jamais essayer d'utiliser des types de pile différents ensemble.
- Des piles ou des batteries peuvent être utilisées. Se référer à leurs étiquettes pour les précautions à respecter.
- Si le boîtier de télécommande n'est pas utilisé pendant une longue période (plus d'un mois), retirer les piles du boîtier de télécommande pour éviter des fuites de pile. Si elles coulent, essuyer le liquide dans le compartiment des piles et remplacer les piles par des neuves.
- Ne pas chauffer, démonter les piles ni les mettre au feu.

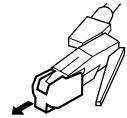




## Nomenclature (table tournante)



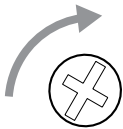
Avant l'utilisation, détachez le protecteur de l'aiguille (couvercle plastique blanc) en tirant directement vers l'avant de la cartouche dans la direction de la flèche.



**A** table tournante

**B** Visse tenant en place la table tournante pour le transport

Avant l'utilisation, déserrer la visse en la tournant vers la droite avec une pièce de monnaie ou tournevisse.



Quand vous transportez l'appareil, tournez la visse vers la gauche pour tenir en place la table tournante.

**C** levier de repérage

Utilisez ce levier pour soulever le bras

**D** appui

**E** bras

**F** sélecteur de vitesse

**G** adaptateur 45 RPM

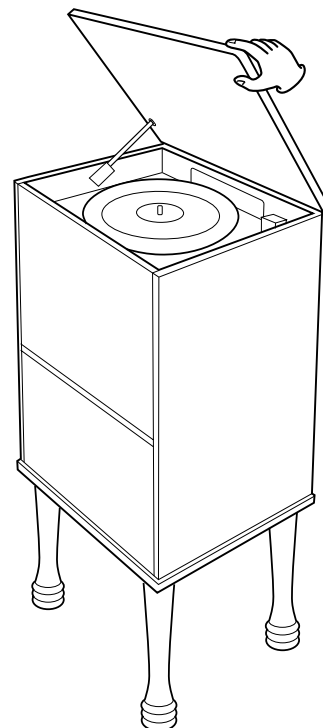
## Comment ouvrir/fermer le couvercle de la platine

**Pour ouvrir:**

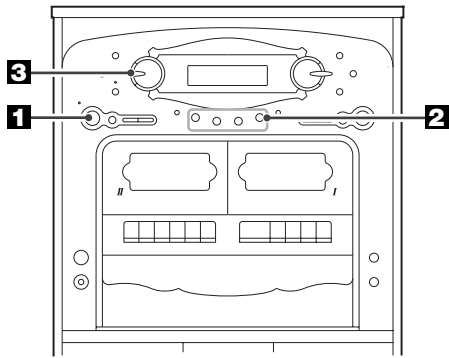
1. Soulevez le couvercle de la platine jusqu'à temps qu'il s'arrête.
2. Le verrou devrait se désengager et vous pouvez maintenant doucement abaissez le couvercle.
3. Assurez-vous de tenir le couvercle par les bords afin d'éviter de coincer vos doigts durant la fermeture.

**Pour fermer:**

1. Soulevez le couvercle jusqu'à temps qu'il s'arrête.
2. Le verrou se désengage et vous pouvez maintenant abaisser doucement le couvercle.
3. Assurez-vous de tenir le couvercle par les bords afin d'éviter de coincer vos doigts quand il se ferme.

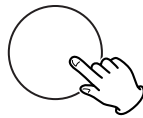






**1** Appuyez sur la touche **POWER** pour allumer l'appareil.

power  
○ standby/on



Le témoin d'attente (standby) s'éteint.

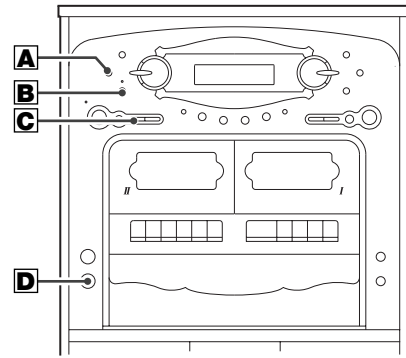
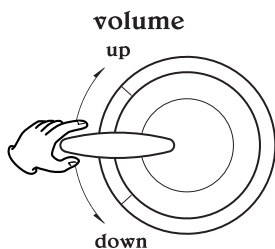
- Quand l'appareil est allumé, le témoin **MUTING** (SOURDINE) s'allume momentanément. Ceci n'est pas un mauvais fonctionnement.

**2** Choisir une source en appuyant sur la touche correspondante.

tape      aux/phono      CD      tuner  
○           ○           ○           ○  
(band)

- Quand vous utilisez la télécommande, appuyez sur la touche **FUNCTION** répétitivement jusqu'à temps que la source désirée apparait sur l'afficheur.
- Pour écouter une source externe branchée aux prises **AUX**, appuyez sur la touche **AUX/PHONO**.
- Si vous jouez une source externe et un long jeu en même temps, le son sera mélangé.

**3** Jouez la source et réglez le volume en tournant le bouton du **VOLUME**.



**A** **EEPS (Système d'égalisation électronique pré-réglé)**



Chaque fois que la touche **EEPS** est appuyée, le mode change tel qui suit:

**CLASSIC:**

Un son équilibré; convenable pour la musique classique.

**ROCK:**

Fourni un son puissant et lourd; convenable pour la musique rock.

**POPS:**

Rehausse les tonalités vocales; convenable pour la musique populaire

**FLAT:**

Le **EEPS** est désengendré.

**B** **Sourdine**

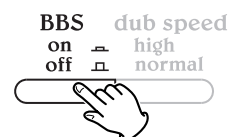
Pour mettre le son momentanément en sourdine, appuyez sur la touche **MUTING**. Appuyez sur la touche **MUTING** de nouveau pour faire revenir le son.



- Quand l'appareil est en sourdine, le témoin **MUTING** s'allume.
- Le témoin **MUTING** s'allume aussi en mode d'arrêt ou pause d'un CD, même si vous n'avez pas engendrer la sourdine. Quand la touche **PLAY** est appuyée, il s'éteint.

**C** **Système de rehausse des graves**

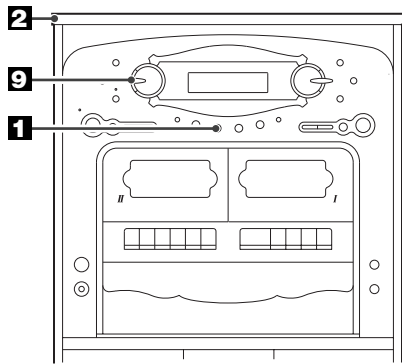
Pour rehausser les graves, appuyez sur la touche **BBS**. Appuyez la touche de nouveau pour le désengendrer.



**D** **Écouteurs**

Pour une écoute privée, insérez la prise des écouteurs dans la prise **PHONE** et réglez le volume en tournant le bouton **VOLUME**. Aucun son provient des haut-parleurs quand les écouteurs sont branchés.

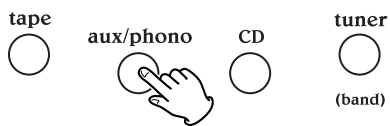
# Écoute de disque



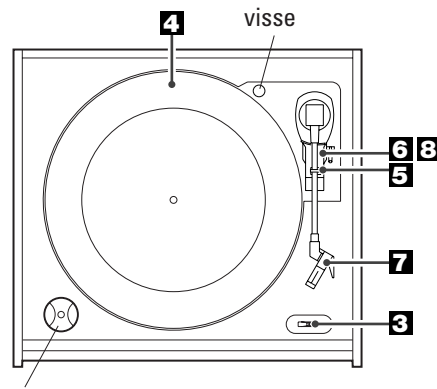
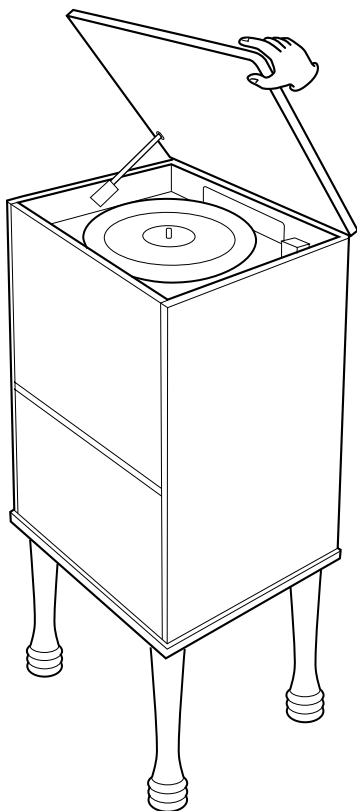
Avant l'utilisation, desserrer complètement la visse de transport en la tournant vers la droite utilisant une pièce de monnaie.

Détachez le protecteur de l'aiguille (couvrelec plastique blanc)

**1** Appuyez sur le bouton PHONO.

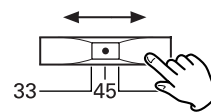


**2** Doucement soulever le couvercle. Prendre soin de ne pas coincer vos doigts.



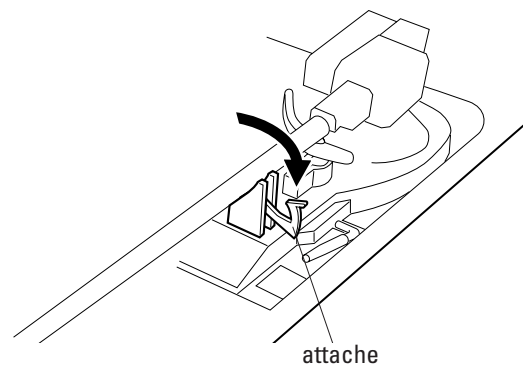
adapteur 45 RPM

**3** Choisir la vitesse.

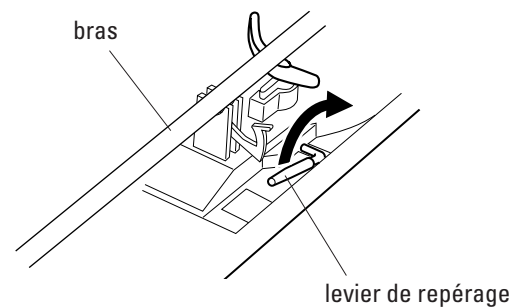


**4** Déposez le disque sur la table tournante.

**5** Doucement poussez l'attache vers la droite pour relâcher le bras.

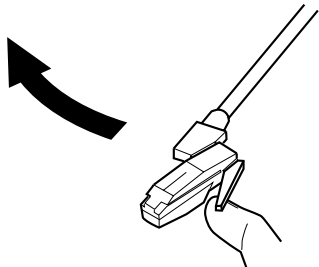


**6** Soulever le levier de repérage pour soulever le bras de son appui.



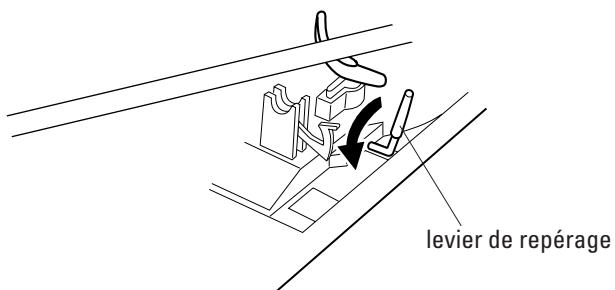
**7** Doucement déplacer le bras vers le bord du disque (ou le point de départ d'une piste).

La table tournante commence à tourner.

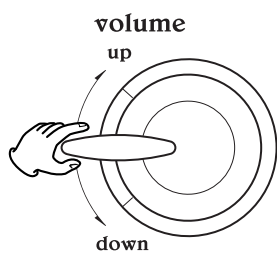


**8** Doucement abaisser le bras en relâchant doucement le levier de re-pérage.

Vous pouvez abaisser le bras manuellement si le levier de repérage n'a pas été utilisé.



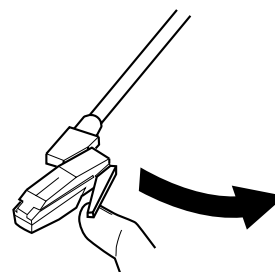
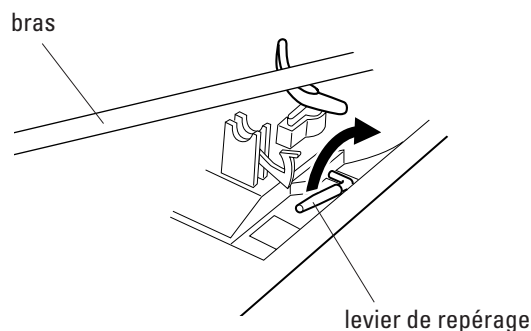
**9** Tournez le bouton du VOLUME pour régler le volume.

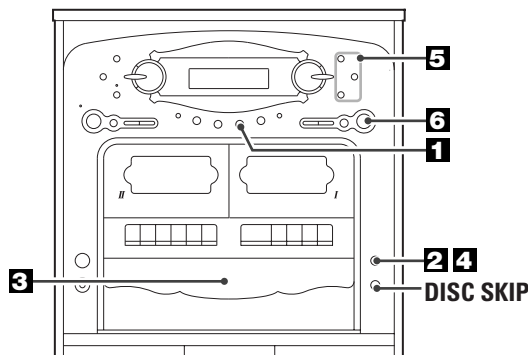


- Tenant le couvercle baissé durant l'écoute de disque empêche la poussière de se déposer sur la table tournante.

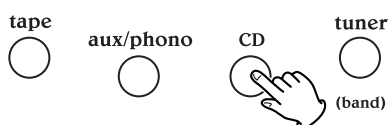
**S'il vous plait ne jamais déposer aucun objet sur le dessus du couvercle de la platine, surtout si vous jouez un disque.**

Quand l'écoute est terminée, soulevez légèrement le bras utilisant le levier de repérage et le retourner à son appui. La rotation s'arrête.





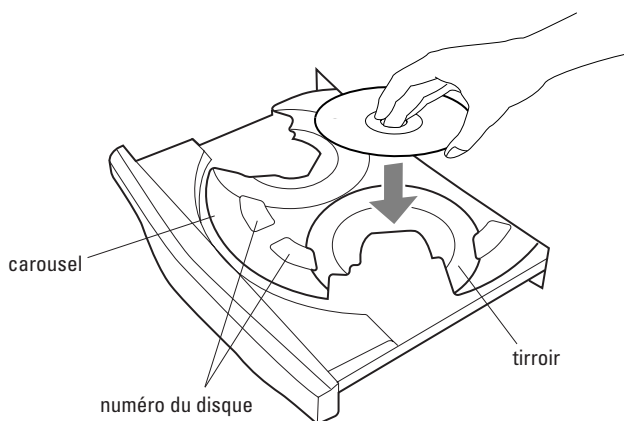
**1** Appuyez sur la touche CD (ou la touche FUNCTION de la télécommande) pour choisir "CD".



**2** Appuyez la touche OPEN/CLOSE

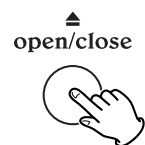


**3** Déposez un disque dans le tiroir avec l'étiquette vers le haut.



- Ne jamais déposer plus d'un disque dans le tiroir.
- Pour déposer un disque dans le tiroir caché, appuyez sur la touche DISC SKIP
- Ne pas toucher le carousel quand il tourne.

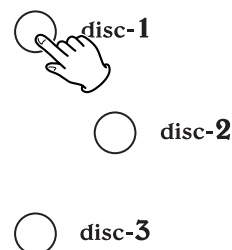
**4** Appuyez sur la touche OPEN/CLOSE pour fermer le tiroir



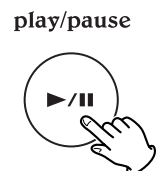
- Ça prend quelques secondes pour que l'appareil lise le disque. Aucune touche fonctionne durant le chargement. Attendez jusqu'à ce que le nombre total de pistes ainsi que la durée totale de lecture du disque soient affichés.
- Si il n'y a pas de disque, "NO DISC" clignote.

**5** Si vous désirez choisir un autre disque, appuyez sur la touche correspondante (DISC 1, 2 ou 3) ou la touche DISC SKIP.

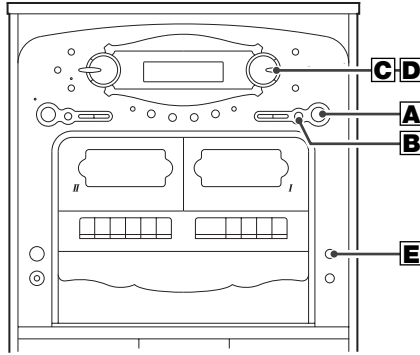
La lecture commence automatiquement.



**6** Appuyez sur la touche PLAY/PAUSE pour engendrer la lecture.



La lecture débute avec la première piste du disque choisi. Quand la lecture de tous les disques est terminée, l'appareil s'arrête automatiquement.



### A Pour suspendre la lecture momentanément (mode pause)

play/pause



Appuyez sur la touche PLAY/PAUSE durant la lecture. La lecture s'arrête à la position en cours. Pour continuer la lecture, appuyez sur la touche PLAY/PAUSE de nouveau.

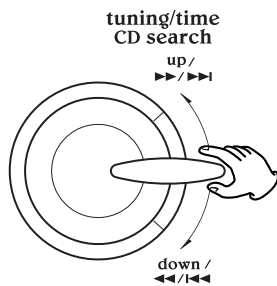
### B Pour arrêter la lecture

Appuyez la touche STOP pour arrêter la lecture.

stop  
(clear)



### C Pour sauter vers la piste précédente ou suivante



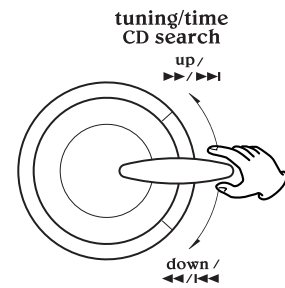
Durant la lecture, poussez vers le haut ou le bas la touche SKIP répétitivement jusqu'à temps que la piste désirée est trouvée. La piste choisie va jouée à partir du début.

En mode d'arrêt, tenir vers le haut ou le bas la touche SKIP (ou poussez la touche répétitivement) et la relacher quand la piste désirée est atteinte. Appuyez la touche PLAY/PAUSE pour engendrer la lecture à partir de la piste choisie.

- Quand la touche SKIP est poussée vers le haut durant la lecture, la piste qui joue va rejouée à partir du début. Pour retourner au début de la piste précédente, poussez la touche vers le haut deux fois.
- Durant la lecture programmée, la piste précédente ou suivante du programme joue.

### D Recherche d'une section d'une piste

Durant la lecture, tenir vers le haut ou le bas la touche SKIP et la relachez quand la section désirée est atteinte.

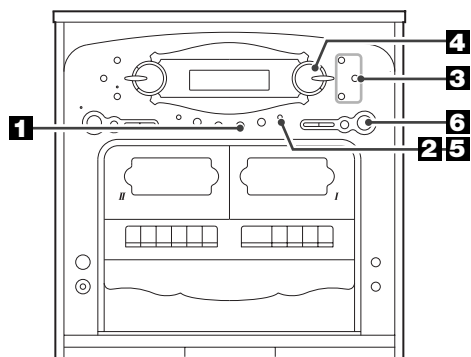


### E Changement de disques durant la lecture

open/close



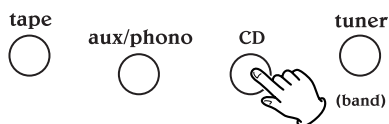
Vous pouvez changer les disques qui ne jouent pas, même si un autre disque joue. Appuyez la touche OPEN/CLOSE pour ouvrir le tiroir, changez le disque et appuyez la touche OPEN/CLOSE de nouveau pour fermer le tiroir.



Jusqu'à 20 pistes de 3 disques peuvent être programmer dans l'ordre désirée

Lecture aléatoire, répétée et intro ne fonctionnent pas durant la lecture programmée.

**1** Appuyez la touche CD ou la touche FUNCTION pour choisir "CD"



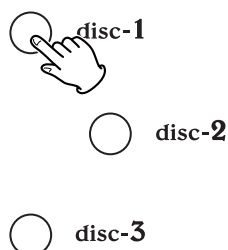
**2** Appuyez la touche PROGRAM



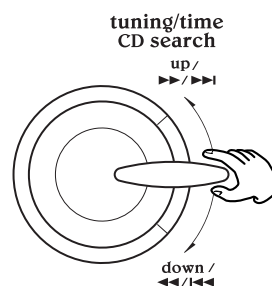
"TRACK", "MEMORY" et le numéro du disque courant clignotent sur l'afficheur.

- Pour annuler la lecture programmée, appuyez la touche STOP.
- Si aucune touche n'est appuyée durant 10 secondes, la lecture programmée est annulée.

**3** Si vous désirez choisir un autre disque, appuyez la touche correspondante ou la touche DISC SKIP.



**4** Poussez vers le haut ou le bas la touche SKIP répétitivement pour choisir une piste.



**5** Appuyez la touche PROGRAM.



La piste est programmée et "P-02" est affiché.

- Répétez les étapes **3** à **5** pour programmer d'autre pistes.
- Vous pouvez programmer jusqu'à 20 pistes.

**6** Quand votre choix de numéros de pistes est terminé, appuyez la touche PLAY/PAUSE pour engendrer la lecture programmée.

play/pause



- Si la touche PLAY/PAUSE n'est pas appuyée en dedans de 10 secondes, le témoin MEMORY s'éteint. Dans ce cas, appuyez la touche PROGRAM et ensuite la touche PLAY/PAUSE pour engendrer la lecture programmée.
- Quand la lecture de toute les pistes programmées est terminée, ou si une des touches suivantes est appuyée, le témoin MEMORY s'éteint et la lecture programmée est annulée:  
STOP, FUNCTION (TAPE, AUX/PHONO, TUNER), POWER DISC SKIP, DISC 1,2,3

Mais le contenu de la programmation n'est pas perdu. Vous pouvez retourner à la lecture programmée en appuyant la touche PROGRAM et la touche PLAY. (Si une autre source est choisie, appuyez la touche CD avant.

## Vérification de l'ordre de programmation



En mode d'arrêt, appuyez la touche PROGRAM répétitivement. Le numéro de piste et du programme sont affichés.

## Pour ajouter une piste à la fin du programme

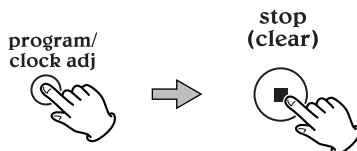
En mode d'arrêt, appuyez la touche PROGRAM répétitivement jusqu'à temps que "00" est affiché. Choisir un numéro de piste en poussant la touche SKIP et ensuite appuyez la touche PROGRAM. La piste est ajoutée à la fin du programme.

## Pour ré-écrire un programme

En mode d'arrêt, appuyez la touche PROGRAM répétitivement jusqu'à temps que le numéro du programme que vous désirez changer est affiché.

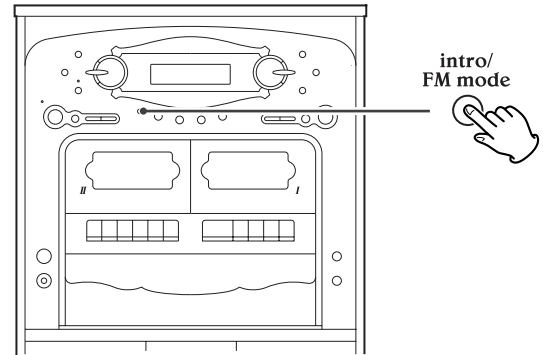
Choisir un nouveau numéro de piste en poussant la touche SKIP et ensuite appuyez sur la touche PROGRAM.

## Pour vidanger un programme



Pour vidanger un programme de son contenu, appuyez la touche PROGRAM et la touche STOP en mode d'arrêt.

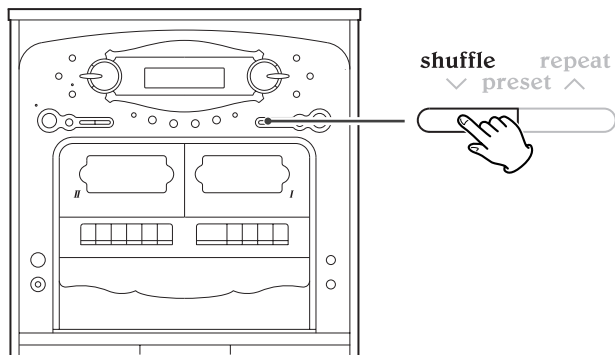
- Si vous appuyez sur la touche OPEN/CLOSE, le contenu du programme est aussi vidangé.
- Si l'appareil est débranché, le contenu du programme est perdu.



Appuyez la touche INTRO en mode d'arrêt. Le début de toute les pistes de tous les disques joue pour 10 secondes. Quand une piste que vous désirez entendre est atteinte, appuyez la touche INTRO pour retourner à une lecture normale.

- Pour sauter à la piste précédente ou suivante, poussez la touche SKIP.
- Pour arrêter l'intro, appuyez la touche STOP.

## Lecture aléatoire



Les pistes sont jouées aléatoirement. Appuyez la touche SHUFFLE durant la lecture. (En mode d'arrêt, appuyez la touche SHUFFLE et la touche PLAY/PAUSE).

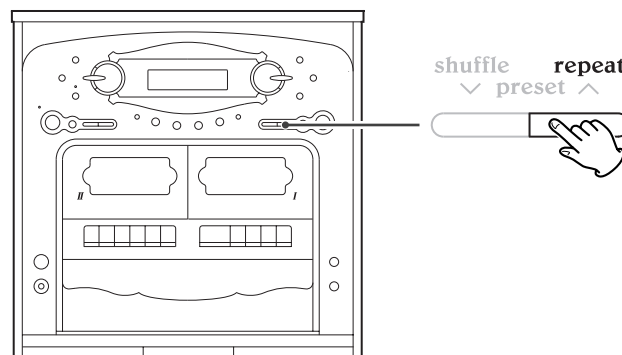
Quand la lecture aléatoire de toute les pistes du disque choisi est terminée, la lecture du disque suivant commence.

Quand la lecture aléatoire de tous les disques est terminée, l'appareil s'arrête et la lecture aléatoire est annulée.

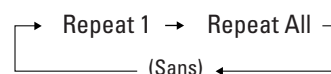
- Si vous poussez vers le bas la touche skip durant la lecture aléatoire, une nouvelle piste est aléatoirement choisie et joue. Si vous poussez vers le haut la touche SKIP, la piste qui joue présentement rejoue à partir du début. Une piste ne peut pas jouer durant la lecture aléatoire.
- La lecture aléatoire ne fonctionne pas durant la lecture programmée.
- Si une des touches suivantes est appuyée, la lecture aléatoire est annulée:

SHUFFLE, STOP, FUNCTION (TAPE, AUX/PHONO, TUNER), DISC SKIP, DISC 1,2,3, POWER, OPEN/CLOSE tandis que l'appareil est à l'arrêt, INTRO tandis que l'appareil est à l'arrêt

## Répétition de la lecture



Chaque pression sur la touche REPEAT, modifie comme suit le mode de fonctionnement :



### Répétition d'une piste

Appuyez sur la touche REPEAT une fois durant la lecture. Le témoin REPEAT s'allume. La piste qui joue sera rejouer répétitivement. Si vous poussez la touche SKIP et choisissez une autre piste, la piste choisie va jouée répétitivement.

Il est aussi possible de choisir une piste à être répéter en mode d'arrêt. Appuyez la touche REPEAT, choisir une piste en poussant la touche SKIP et ensuite appuyez la touche PLAY/PAUSE pour engender la lecture.

- La lecture répétée ne fonctionne pas durant la lecture programmée.
- Si une des touches suivantes est appuyées, le mode REPEAT est annulé:

DISC SKIP, DISC 1,2,3, OPEN/CLOSE, SHUFFLE, INTRO tandis que l'appareil est à l'arrêt

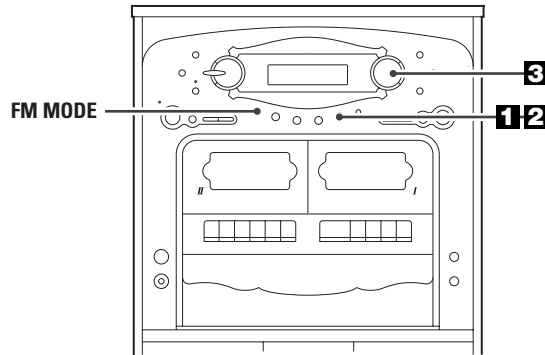
### Répétition de toute les pistes de tous les disques

Toute les pistes de tous les disques vont jouer répétitivement. Appuyez la touche REPEAT deux fois. Le témoin REPEAT clignote.

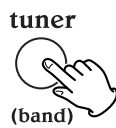
- La lecture répétée ne fonctionne pas durant la lecture programmée.
- Si une des touches suivantes est appuyées, le mode REPEAT est annulé:

STOP, FUNCTION (TAPE, AUX/PHONO, TUNER), DISC SKIP, DISC 1,2,3, OPEN/CLOSE, POWER

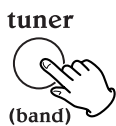




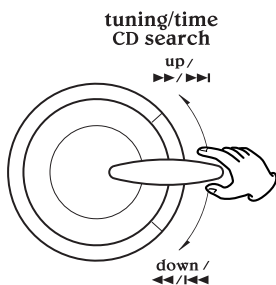
**1** Choisir "TUNER" en appuyant la touche TUNER(BAND) ou la touche FUNCTION.



**2** Choisir AM ou FM en appuyant la touche TUNER(BAND).



**3** Choisir le poste que vous désirez écouter (choix automatique)



Tenir la touche TUNING vers le haut ou le bas jusqu'à temps que l'affichage de la fréquence change. Quand un poste est syntonisé, le procédé de syntonisation s'arrête automatiquement.

- Poussez la touche TUNING pour arrêter le choix automatique.

### Choix de postes qui ne peuvent pas être syntoniser automatiquement (choix manuel)

Quand la touche TUNING est poussée momentanément, la fréquence change par une étape fixe. Poussez la touche TUNING vers le haut ou le bas répétitivement jusqu'à temps que le poste que vous désirez écouter est trouvé.

## Touche FM MODE



L'appui de cette touche alterne entre le mode stéréo ou mono.

### Stéréo:

Les postes FM stéréos sont captés en stéréo et le témoin "STEREO" est allumé

### Mono:

Pour l'écoute de postes FM stéréo faibles, choisir ce mode. La réception est maintenant monorale, réduisant les parasites.

## Si la réception est mauvaise

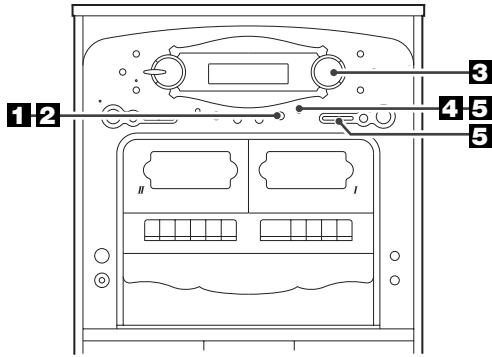
### Postes AM

L'antenne AM est à l'intérieur du cabinet. Repositionner l'appareil pour obtenir la meilleur réception possible de postes AM.

### Postes FM

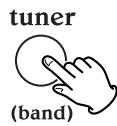
Repositionner l'antenne FM pour obtenir la meilleure réception possible.

# Syntonisation pré-réglée

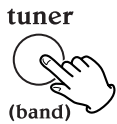


Vous pouvez entreposer dans les canaux pré-réglés de 1 à 20 postes FM et AM.

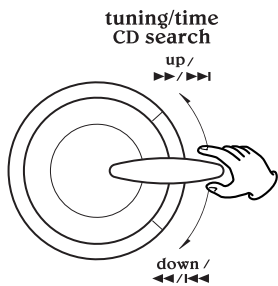
**1** Appuyez la touche **TUNER(BAND)** ou la touche **FUNCTION** pour choisir "TUNER"



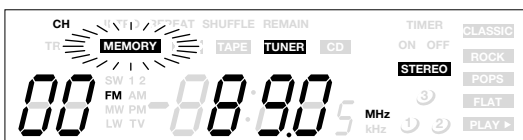
**2** Choisir AM ou FM en appuyant la touche **TUNER(BAND)**



**3** Choisir le poste que vous désirez écouter.

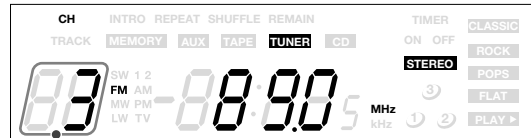
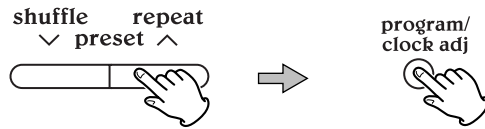


**4** Appuyez la touche **PROGRAM**



Le témoin MEMORY clignote.

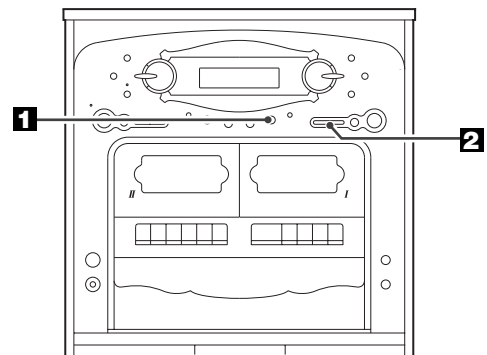
**5** En dedans de 5 secondes, choisir un canal pré-réglé pour sauvegarder le poste utilisant les touches **PRESET** et ensuite appuyez la touche **PROGRAM**.



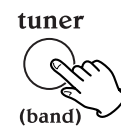
canal pré-réglé

Le poste est sauvegardé et le témoin MEMORY s'éteint. Pour sauvegarder d'autres postes, répétez les étapes **2** à **5**.

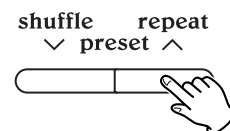
## Comment choisir des postes pré-réglés

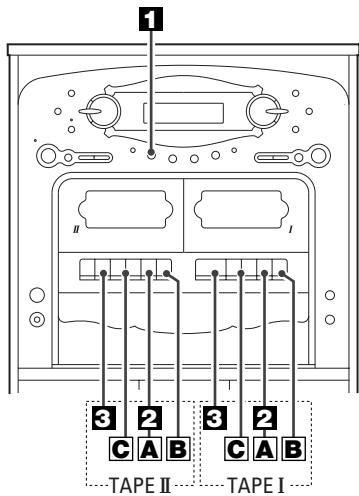


**1** Choisir AM ou FM en appuyant la touche **TUNER(BAND)**

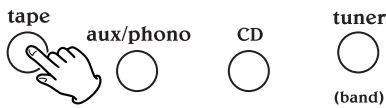


**2** Appuyez la touche **PRESET** répétitivement jusqu'à temps que le poste désiré est trouvé.

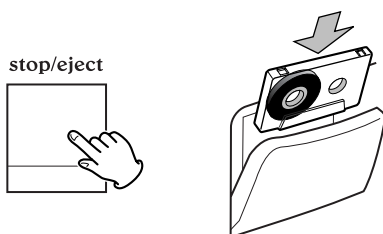




**1** Appuyez la touche TAPE ou la touche FUNCTION pour choisir "TAPE"



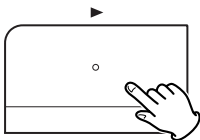
**2** Chargez une bande pré-enregistrée



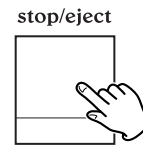
Appuyez la touche STOP/EJECT pour ouvrir le compartiment de la bande, chargez la bande avec son côté exposé vers le bas et fermez le compartiment.

- Cet appareil joue des bandes standard (Type I) seulement.
- Vous pouvez utiliser TAPE I ou TAPE II pour la lecture.

**3** Appuyez la touche PLAY pour engendrer la lecture.

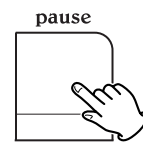


**A** Pour arrêter la lecture



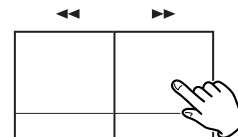
Appuyez la touche STOP/EJECT pour arrêter la lecture.

**B** Pour suspendre la lecture momentanément (mode pause)



Appuyez la touche PAUSE. La lecture s'arrête à l'endroit choisi. Pour continuer la lecture, appuyez la touche PAUSE de nouveau.

**C** Avance rapide et rembobinage

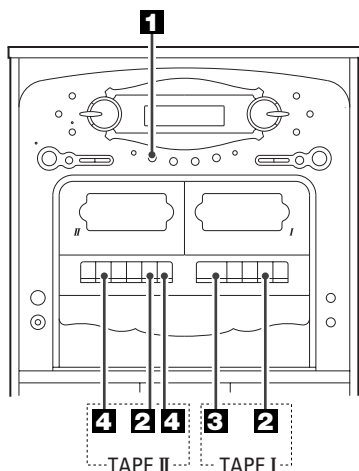


Appuyez la touche ◀◀ ou ▶▶

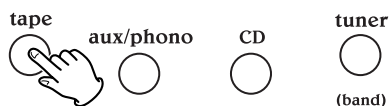
Appuyez la touche STOP pour arrêter l'avance rapide ou le rembobinage

- Quand la bande arrive à la fin, assurez-vous d'appuyer la touche STOP pour arrêter l'appareil.

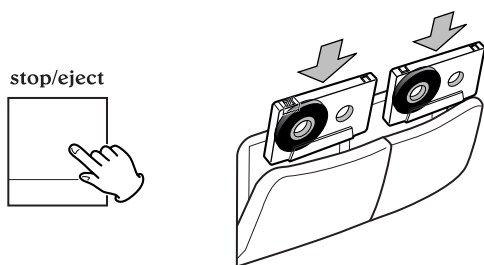
## Lecture continu



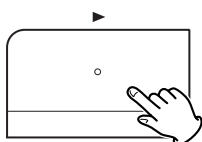
**1** Appuyez la touche TAPE ou la touche FUNCTION pour choisir "TAPE"



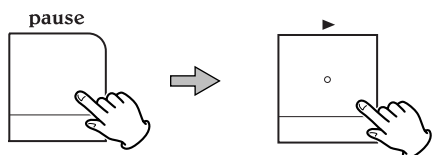
**2** Chargez une bande dans TAPE I et TAPE II.



**3** Appuyez la touche PLAY de TAPE I.



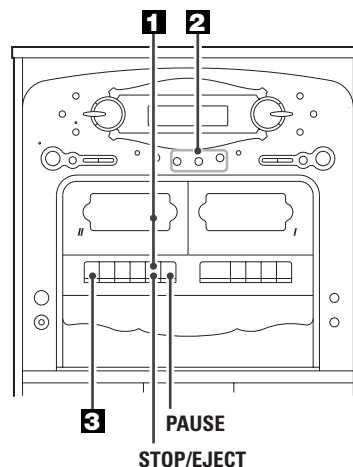
**4** Appuyez la touche PAUSE et PLAY de TAPE II.



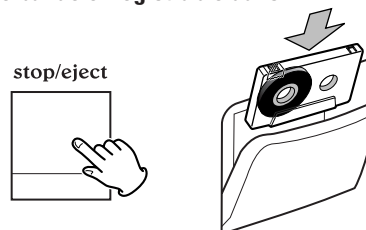
Quand TAPE I s'arrête, la lecture de TAPE II commence automatiquement.

Quand TAPE II s'arrête, la lecture continue se termine.

## Enregistrement (TAPE II seulement)

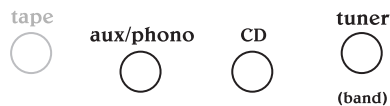


**1** Chargez une bande enregistrable dans TAPE II.



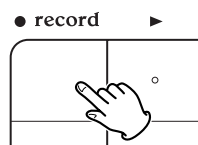
- Vous pouvez utiliser des bandes standard seulement (Type I).
- Si les onglets de sécurité de la bande sont brisés, couvrir l'orifice avec du ruban adhésif.

**2** Choisir la source d'enregistrement en appuyant la touche correspondante.



- Ne pas choisir TAPE
- Préparez la source d'enregistrement. Quand vous choisissez "TUNER", syntonisez un poste.

**3** Appuyez la touche RECORD pour engendrer l'enregistrement.



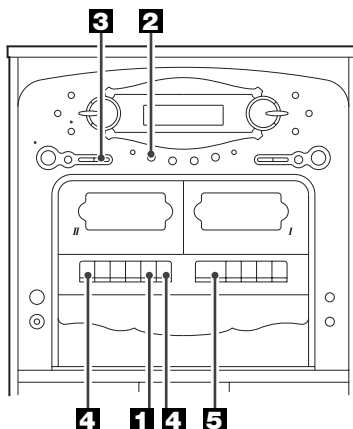
Quand la touche RECORD est appuyée, la touche PLAY est aussi appuyée automatiquement.

- Quand vous choisissez "CD", la lecture du CD commence automatiquement.
- Pour un arrêt momentané de la lecture, appuyez la touche PAUSE. Pour rejouer la bande appuyez la touche PAUSE de nouveau.
- Pour arrêter l'enregistrement, appuyez la touche STOP.

## Enregistrement synchronisé d'un CD

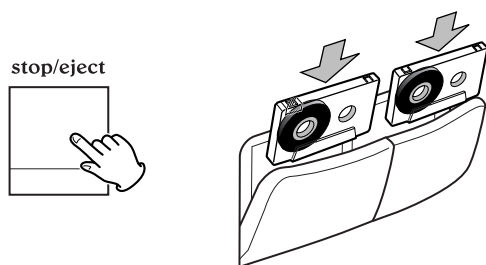
1. Chargez une bande enregistrable dans TAPE II
2. Appuyez la touche CD ou la touche FUNCTION pour choisir "CD"
3. Choisir un disque à enregistrer en appuyant la touche correspondante (DISC 1, 2 ou 3) ou la touche DISC SKIP.
  - Vous pouvez programmer les pistes à enregistrer.
4. Appuyez la touche RECORD pour engendrer l'enregistrement. La lecture du CD débute automatiquement.
  - Pour arrêter l'enregistrement, appuyez la touche STOP.

## Copiage (Copiage de TAPE I à TAPE II)

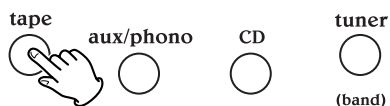


### 1 Chargez une bande pré-enregistrée dans TAPE I et une bande enregistrable dans TAPE II.

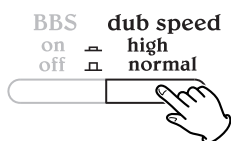
- Vous pouvez utiliser des bandes standards (Type I) seulement.



### 2 Appuyez la touche TAPE ou FUNCTION pour choisir "TAPE"



### 3 Choisir la vitesse de copiage en appuyant la touche DUB SPEED.



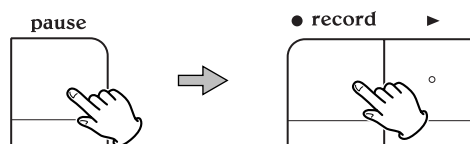
#### high:

La copie se fait à haute vitesse  
(Il est possible qu'il existe une détérioration de la fidélité durant le copiage à haute vitesse. Faites une copie d'essai pour vérifier la qualité sonore.)

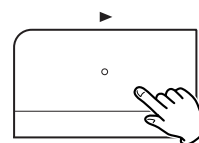
#### normal:

La copie se fait à une vitesse normale

### 4 Appuyez la touche PAUSE et RECORD de TAPE II.



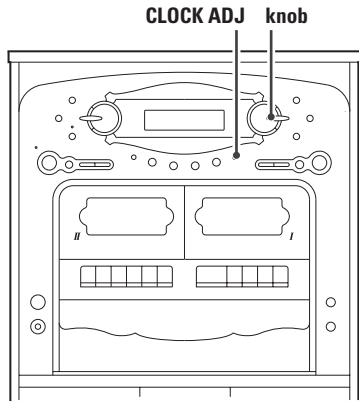
### 5 Appuyez la touche PLAY de TAPE I.



Le copiage commence.

- Ne pas choisir une autre source durant le copiage, sinon le copiage sera interrompu.
- Pour arrêter le copiage, appuyez les touches STOP de TAPE I et TAPE II.

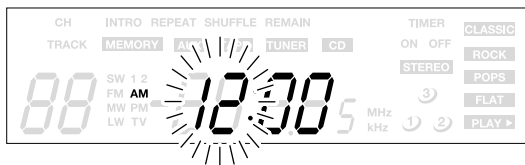
# Réglage de l'horloge



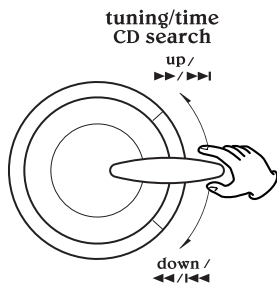
- Si l'appareil est allumé, appuyez la touche POWER pour l'éteindre, ou appuyez la touche DISPLAY une ou deux fois pour afficher l'horloge (":." clignote)

## 1 Appuyez la touche CLOCK ADJ.

"heure" clignote

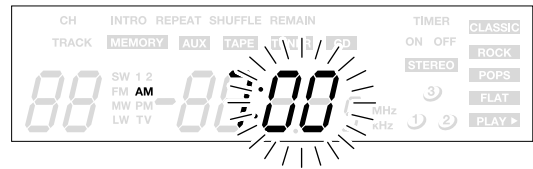


## 2 Tenir vers le haut ou le bas le bouton pour régler l'heure.

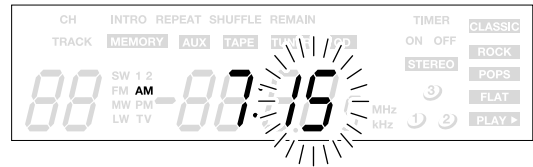
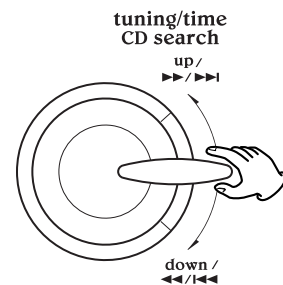


## 3 Appuyez la touche CLOCK ADJ.

"minute" clignote



## 4 Tenir vers le haut ou le bas le bouton pour régler les minutes

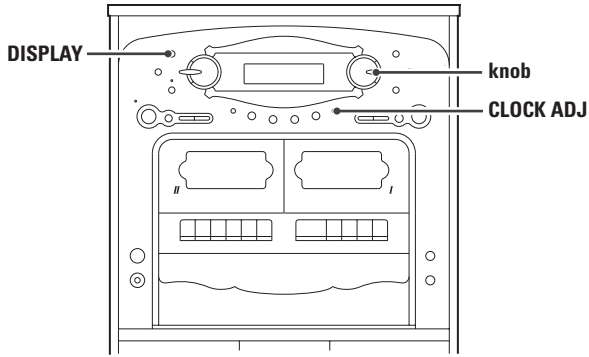


## 5 Appuyez la touche CLOCK ADJ.

L'horloge se met en marche.



# Réglage de la minuterie 1

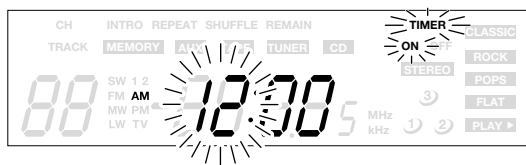


Réglez l'horloge avant de régler la minuterie

**1** Appuyez la touche DISPLAY répétitivement jusqu'à temps que le témoin "TIMER ON" est affiché



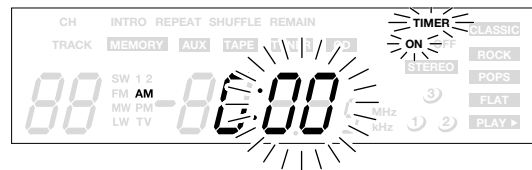
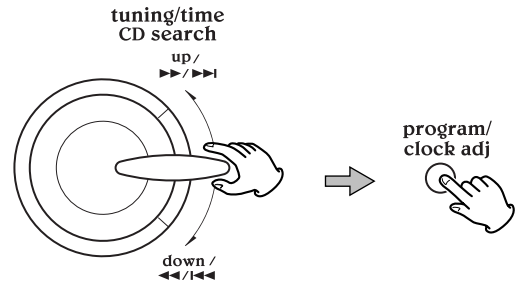
**2** En dedans de 5 secondes, appuyez la touche CLOCK ADJ.



"heure" clignote.

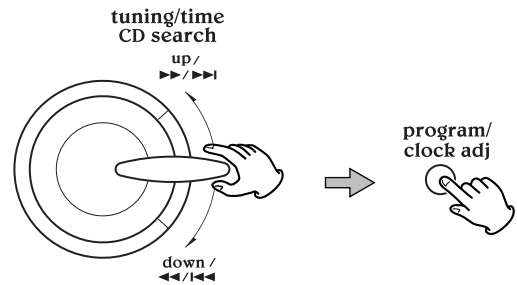
- Si aucune touche est appuyée pour 10 secondes, le réglage de la minuterie est annulé.

**3** Tenir vers le haut ou le bas le bouton pour régler l'heure de départ et appuyez la touche CLOCK ADJ.



"minute" clignote.

**4** Tenir vers le haut ou le bas la touche pour régler les minutes de départ et appuyez la touche CLOCK ADJ.



**5** Appuyez la touche DISPLAY.

"TIMER OFF" est affiché



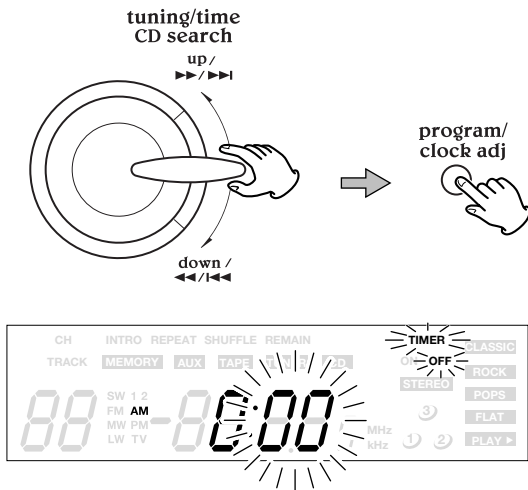
**6** En dedans de 5 secondes, appuyez la touche CLOCK ADJ.



"heure" clignote

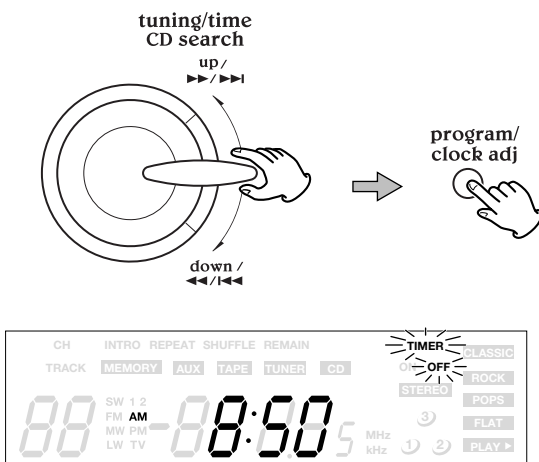
## Réglage de la minuterie 2

- 7** Tenir vers le haut ou le bas la touche pour régler l'heure d'arrêt et appuyez la touche **CLOCK ADJ.**



"minutes" clignote

- 8** Tenir vers le haut ou le bas la touche pour régler les minutes d'arrêt et appuyez sur la touche **CLOCK ADJ.**

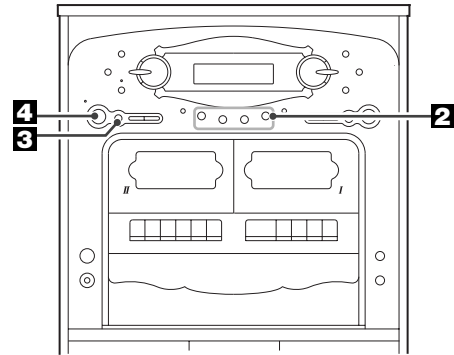


- 9** Appuyez la touche **DISPLAY** (ou ne rien toucher pour 5 secondes)

Maintenant le réglage de la minuterie est entreposé dans la mémoire.

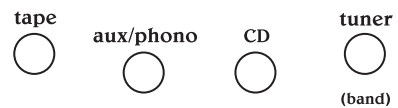


## Lecture minutée



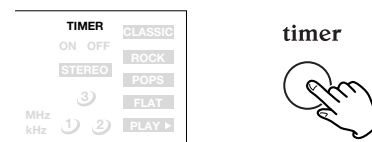
- 1** Réglez l'heure de départ de d'arrêt (voir page 55).

- 2** Choisir une source en appuyant la touche correspondante.



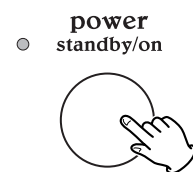
- Préparez la source. Quand vous choisissez "TUNER" sintonisez un poste.

- 3** Appuyez la touche **TIMER**.



"TIMER" est affiché

- 4** Appuyez la touche **POWER** pour éteindre l'appareil (standby)



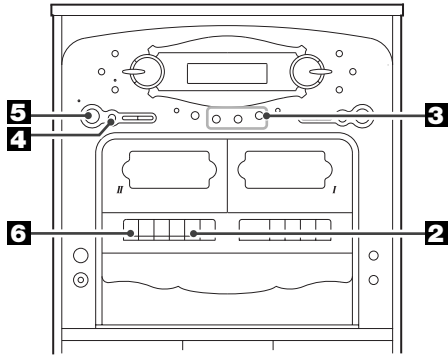
Si "TAPE" est choisi, appuyez la touche **PLAY** de TAPE I ou II.

L'appareil s'allumera et s'éteindra aux heures spécifiés.

- La minuterie ne fonctionne pas si l'appareil est allumé manuellement
- Si vous n'utilisez pas la minuterie, appuyez la touche minuterie pour la désengendrer.

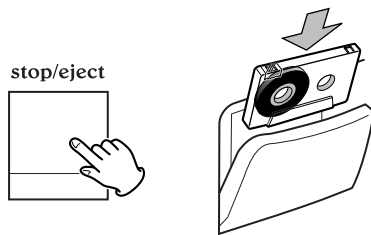


## Enregistrement minuté

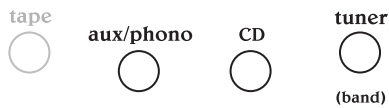


**1** Réglez l'heure de départ et d'arrêt (voir page 55)

**2** Chargez une bande enregistrable dans TAPE II.

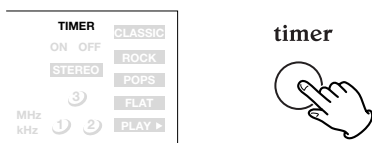


**3** Choisir une source d'enregistrement en appuyant la touche correspondante.



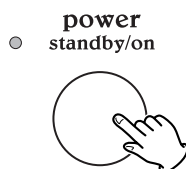
- Ne pas choisir "TAPE"
- Quand vous choisissez "TUNER", syntonisez un poste

**4** Appuyez la touche TIMER

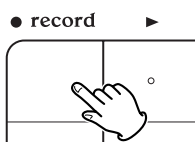


Le témoin "TIMER" est affiché.

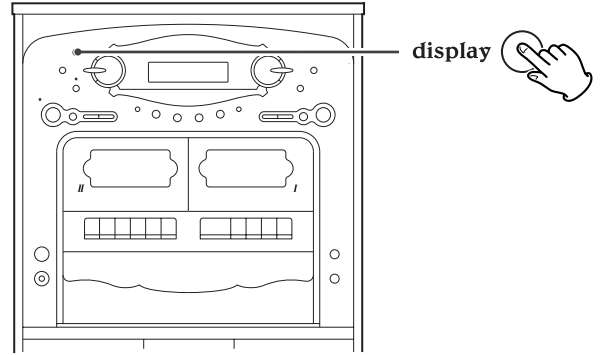
**5** Appuyez la touche POWER pour allumer l'appareil



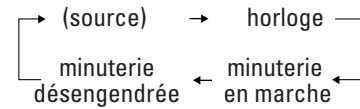
**6** Appuyez la touche RECORD de TAPE II.



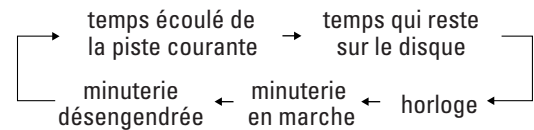
## Afficheur



Chaque fois que la touche DISPLAY est appuyée, l'afficheur change comme suit:



**Durant la lecture d'un CD:**



**Quand l'appareil est allumé:**

"clock", "timer on" ou "timer off" est affiché pour 5 secondes et ensuite retourne à "source".

**Quand l'appareil est éteint:**

"timer on" ou "timer off" est affiché pour 5 secondes et ensuite retourne à "clock"

En cas d'anomalie de fonctionnement, consultez le tableau qui suit et tentez de résoudre la question qui se pose à vous avant de faire appel au revendeur ou au service d'entretien de TEAC.

## N'allume pas

- Assurez-vous que l'appareil est branché. Assurez-vous que la source d'alimentation n'est pas commuté et si c'est le cas que le commutateur est en marche. Assurez-vous que la prise de courant est alimentée en branchant un autre appareil tel qu'une lampe ou ventilateur.

## Aucun son des haut-parleurs

- Choisir la source en appuyant la touche correspondante ou la touche **FUNCTION**.
- Réglez le volume
- Débranchez les écouteurs
- Si le témoin "MUTING" est allumé, appuyez la touche **MUTING**. (Quand "CD" est choisi, appuyez la touche **PLAY** pour engendrer la lecture.)

## Le son est bruyant

- L'appareil est trop proche d'un téléviseur ou appareil semblable. Éloignez l'appareil ou les éteindre.

## La télécommande ne fonctionne pas

- Appuyez la touche **POWER** pour allumer l'appareil
- Si les piles sont mortes, les changer
- Utilisez la télécommande en dedans de la distance (5m / 15pieds) et pointez la vers le panneau avant.
- Enlevez les obstacles entre la télécommande et l'unité principale
- Si il y a une lumière puissante près de l'appareil, éteignez là.

## Lecteur CD

### Ne joue pas

- Chargez un disque avec le côté de lecture vers le bas
- Si le disque est sale, nettoyez la surface du disque
- Un disque vierge est chargé. Chargez un disque pre-enregistré.
- Cet appareil ne joue pas les disques CD-RW.
- Dépendement du disque, etc... il est possible que les disques CD-R ne jouent pas. Essayez un autre disque.
- Vous ne pouvez pas jouer des disques CD-R non-finalisés. Finalisez le disque dans un graveur CD et essayez de nouveau.

### Son saute

- Installez l'appareil dans un endroit stable pour éviter les vibrations et les heurts.
- Si le disque est sale, nettoyez la surface du disque.
- Ne pas utiliser des disques égratignés, endommagés ou bombés.

## Syntonisateur

### Il n'est pas possible d'écouter aucun poste, ou signal est trop faible

- Syntonisez le poste correctement.
- Tournez l'appareil ou le fil d'antenne FM pour la meilleure position de réception.

### La transmission est stéréo, mais le son est mono

- Appuyez la touche **FM MODE**.

## Platine à cassette

- Le compartiment de bande ne ferme pas.
- Les touches ne fonctionnent pas.
- Insérez une bande sécuritairement

### Le son est distordu ou bruyant

- Nettoyez et démagnétisez les têtes
- Utilisez des bandes standards

### Ne peut pas enregistrer

- Si les onglets de sécurité de la bande sont brisés, couvrir l'orifice avec un ruban adhésif.
- Nettoyez et démagnétisez les têtes.

## Platine

### Ne joue pas

- Dévissez la visse et enlevez le protecteur de l'aiguille. (Le protecteur d'aiguille est un couvercle blanc en plastique qui protège l'aiguille durant le transport. Si il n'est pas enlevé, l'aiguille ne vient pas en contact avec le sillon du disque et il n'y a pas de son).
- Si l'aiguille est usé, changez là
- Choisir la bonne vitesse de reproduction

### Le son saute

- Installez l'appareil dans un endroit stable pour éviter les vibrations et les heurts. Assurez-vous que l'appareil est de niveau, avant arrière et d'un côté à l'autre.
- Nettoyez la surface du disque.
- Ne pas utiliser des disques égratignés, endommagés ou bombés

### Si l'appareil est débranché, les réglages sauvegarder en mémoire sont perdus (horloge, postes pré-réglés, réglage de minuterie).

### Si vous ne parvenez pas à rétablir un fonctionnement normal, débrancher le cordon d'alimentation et le rebrancher.

## Section AMPLIFICATEUR

Puissance de sortie ..... 15W+15W  
Sensibilité d'entrée..... 220mV  
Réponse de fréquence ..... 50 à 20.000 Hz

## Section SYNTONISATEUR (FM)

Gamme de fréquence ..... 87,50 à 108,00 MHz  
Sensibilité(S/B 30dB)..... 20dB $\mu$ V

## Section SYNTONISATEUR (AM)

Gamme de fréquence ..... 530 à 1710 kHz  
Sensibilité(S/B 20dB) ..... 60dB $\mu$ V/m

## Section LECTEUR DISQUE COMPACTE

Réponse de fréquence..... 20 à 20.000 Hz ( $\pm$ 1dB)  
Rapport signal/bruit..... 55dB  
Pleurage & scintillement..... Non-mesurable

## Section MAGNÉTOPHONE

Système de piste ..... 4 pistes, 2 canaux stéréos  
Vitesse de bande ..... 4,8cm/sec  
Pleurage & scintillement..... 0,35% ( WRMS )  
Réponse de fréquence..... 100 à 8.000 Hz  
Rapport signal bruit..... 35dB

## Section TOURNE DISQUE

Moteur ..... moteur servo CC  
Engrenage ..... Par courroie  
Vitesse ..... 33-1/3 rpm, 45 rpm, 78 rpm  
Pleurage et scintillement..... moins de 2,5% (WRMS)  
Rapport signal/bruit..... Plus de 50dB  
Cartouche..... Cartouche céramique stéréo  
Aiguille ..... STL-103

## Section Système de HAUT-PARLEUR

Type ..... 2 voies reflêt des basses  
Impédance ..... 8 ohms

## GÉNÉRALITÉ

Alimentation ..... 120V, 60Hz  
Consommation..... 50 W  
Dimension ( L x H x P )..... 389 x 892,5 x 377 mm  
Poid(net)..... 19,6 kg

## Accessoires Standard

Télécommande (RC-905) x 1  
Adapteur 45 RPM x 1  
Guide de l'utilisateur x 1  
Carte de garantie x 1

- Conception et spécifications sujetes à des changements sans pré-avis.
- Poids et dimensions sont approximatives
- Les illustrations peuvent être légèrement différentes des modèles produits.

# TEAC

---

TEAC CORPORATION 3-7-3, Nakacho, Musashino-shi, Tokyo 180-8550, Japan Phone: (0422) 52-5081

---

TEAC AMERICA, INC. 7733 Telegraph Road, Montebello, California 90640 Phone: (323) 726-0303

---

TEAC CANADA LTD. 5939 Wallace Street, Mississauga, Ontario L4Z 1Z8, Canada Phone: (905) 890-8008

---

TEAC MEXICO, S.A. De C.V. Campesinos N°184, Colonia Granjas Esmeralda, Delegacion Iztapalapa, CP 09810, México DF Phone: (525) 581-5500

---

TEAC UK LIMITED 5 Marlin House, Croxley Business Park, Watford, Hertfordshire, WD18 8TE, U.K. Phone: 01923-819699

---

TEAC DEUTSCHLAND GmbH Bahnstrasse 12, 65205 Wiesbaden-Erbenheim, Germany Phone: 0611-71580

---

TEAC FRANCE S.A. 17, Rue Alexis-de-Tocqueville, CE 005 92182 Antony Cedex, France Phone: (1) 42.37.01.02

---

TEAC ITALIANA S.p.A. Via C. Cantù 11, 20092 Cinisello Balsamo, Milano, Italy Phone: 02-66010500

---

TEAC AUSTRALIA PTY., LTD. 106 Bay Street, Port Melbourne, Victoria 3207, Australia Phone: (03) 9644-2442  
A.B.N. 80 005 408 462

---

This appliance has a serial number located on the rear panel. Please record the model number and serial number and retain them for your records.

Model number \_\_\_\_\_

Serial number \_\_\_\_\_

0703-MA-0825A